

#### **FEATURES AND BENEFITS:**

- Design for pigs to drink cleanly and water conservation
- Pig Nipple Drinker with effective & timely delivery
- It is a indispensable drinking equipment for pig farm
- Stainless steel, anti-corrosion, supply hygienic water
- High efficient, save time and save water

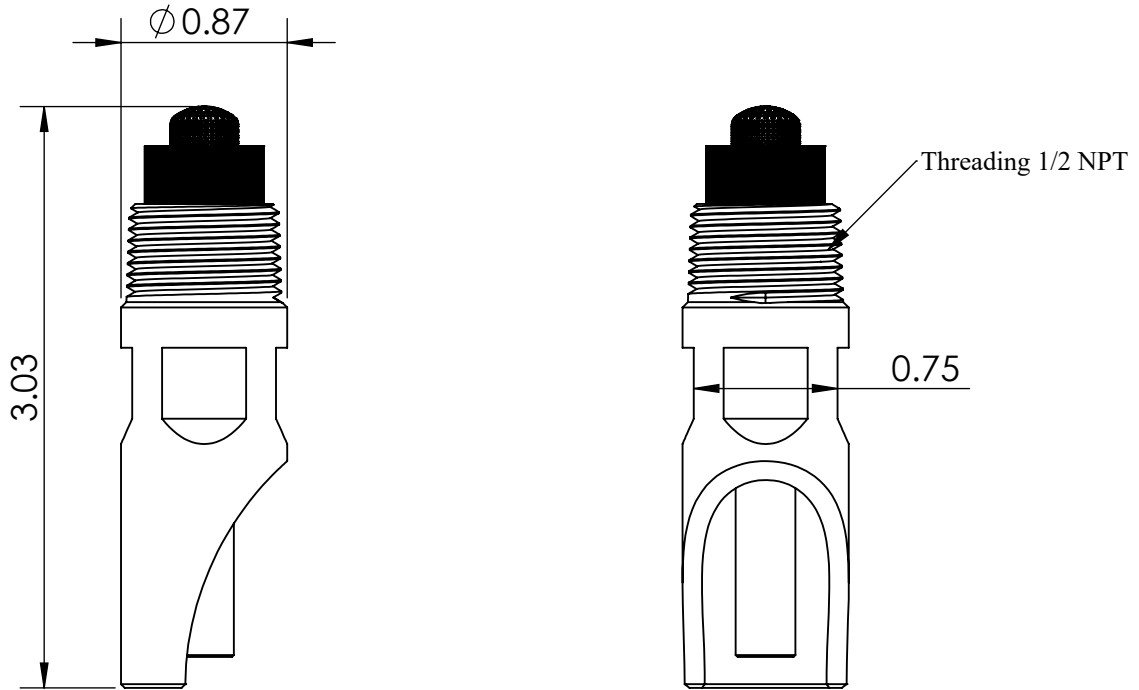


#### **C8012**

Electro Polish

**WARRENTY:** Three Year (Limited)

## PRODUCT DIMENSIONS:



## OPTION AVAILABLE:

Part No.	Material	Tap Thread	Length(mm)	Diameter	Finish
C8015	SS304	1/2" NPT	68	16	Electro Polish