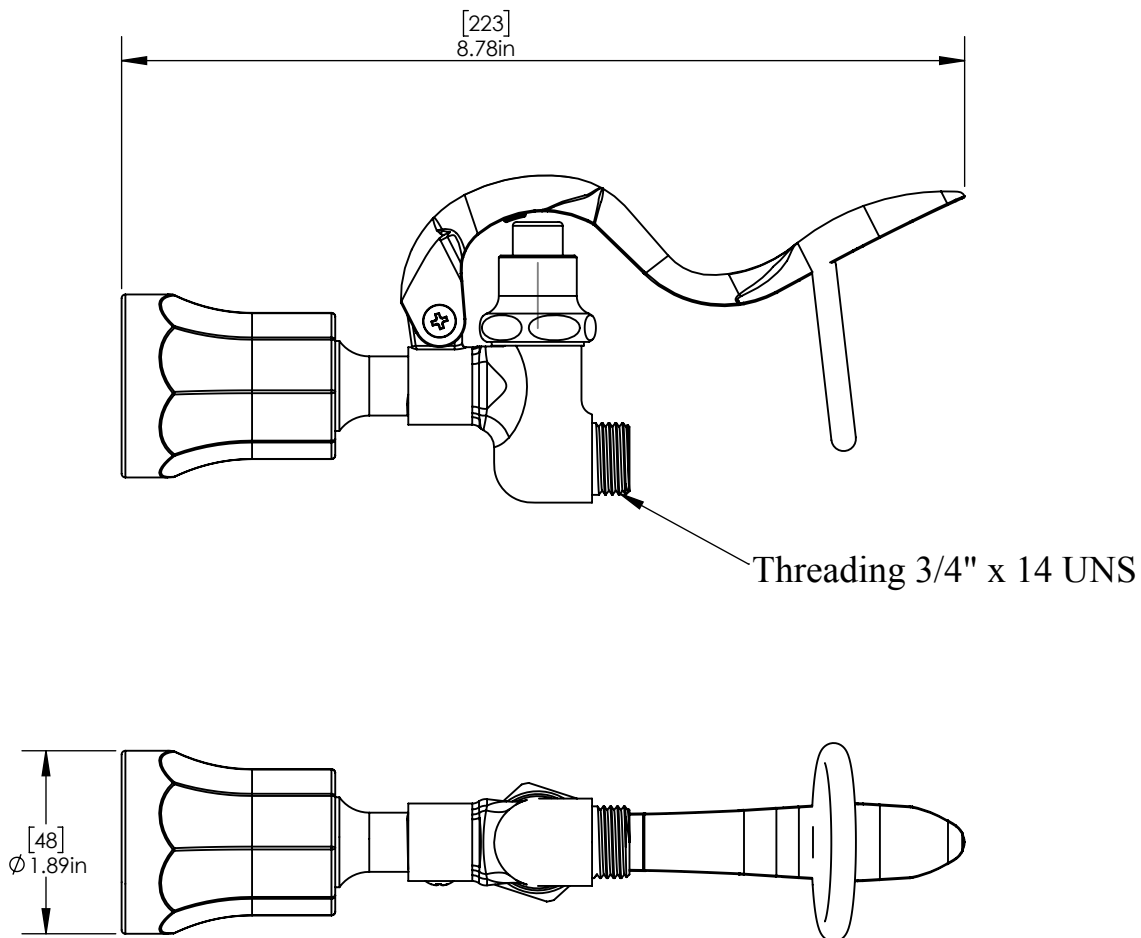


Options Available:-

Part No	Part Name	GPM
C8149	Spray Valve for Pre Rinse 1.42 GPM	1.42GPM
C8249	Hi Flow Spray Valve for Pre Rinse 4.50GPM	4.50GPM

Product Dimensions:-



Copyright © 2017 Krome USA Inc. All Rights Reserved



US & Canada :- +1-678 666 2001

Asia:- +91-9814203010

Krome USA Inc. reserves the right to make revisions to product specifications without any notice

For most updated specification sheet , go to www.aluids.com