

FEATURES & BENEFITS:

- Excellent water conservation
- Great leakage prevention effect
- Safe and durable
- Material: Brass
- Finish: chrome plating

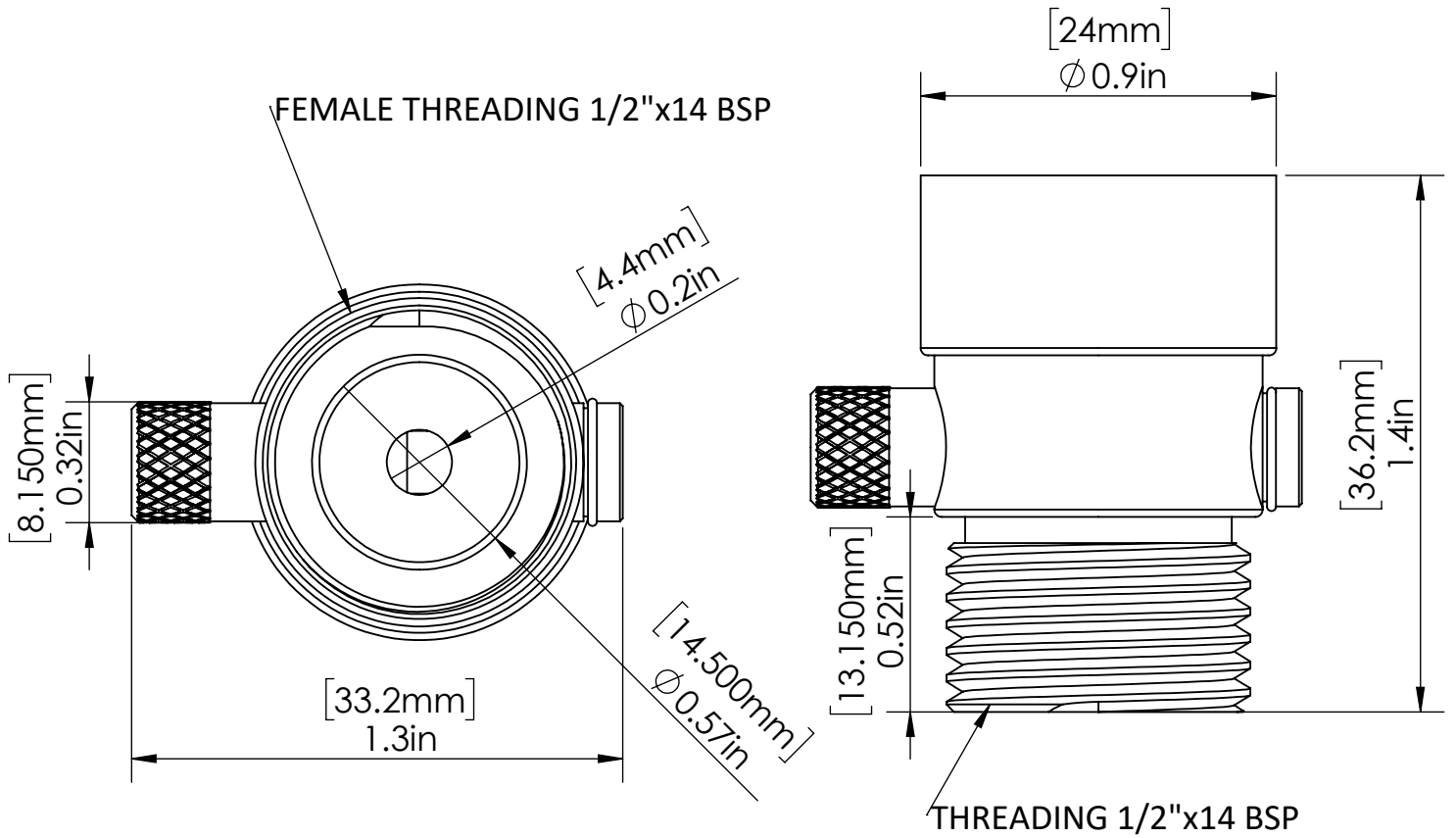


C8057

Chrome Plating

WARRANTY: One Year (Limited)

PRODUCT DIMENSION:



OPTION AVAILABLE: No Option Available