

### FEATURES & BENEFITS:

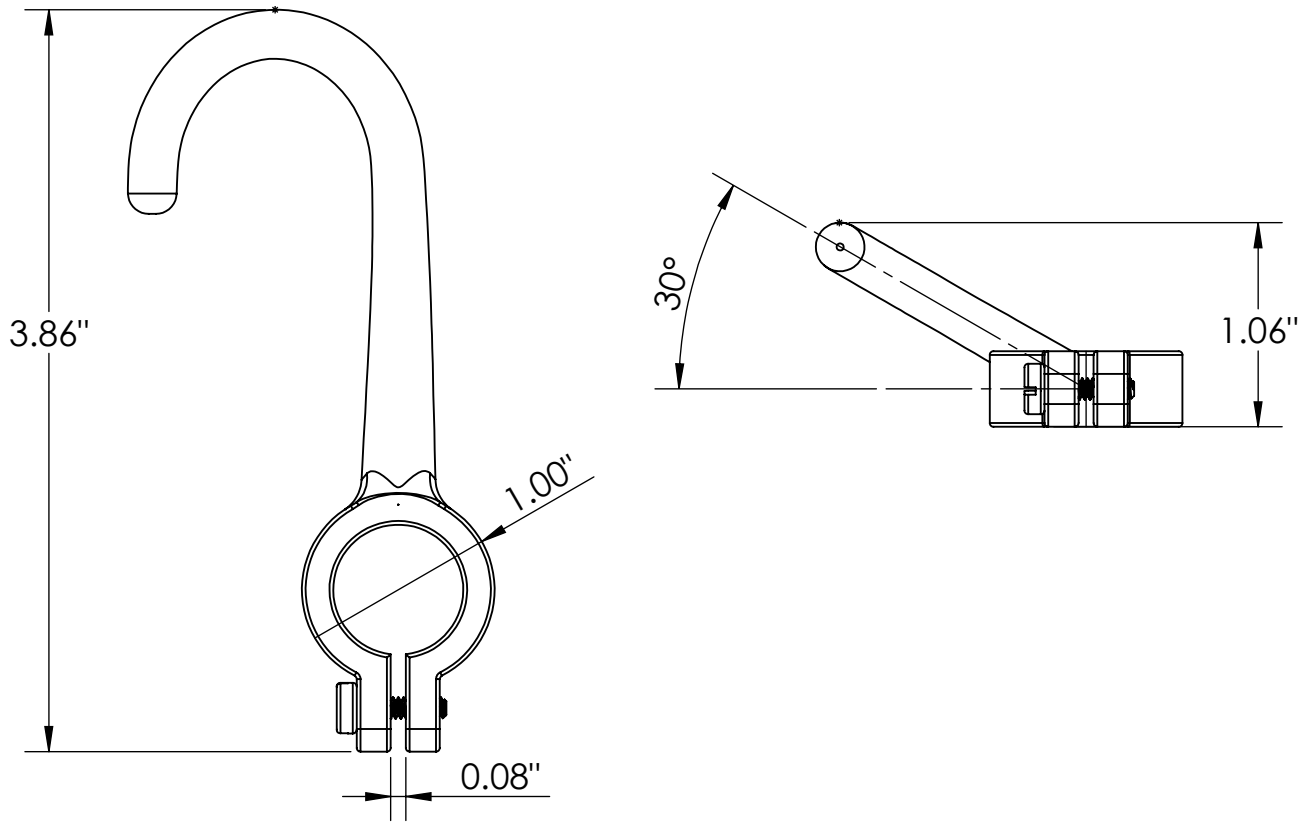
- Protect your pre rinse Head when not in use with the hook assembly.
- Easily installs onto the shaft of your pre rinse faucet,
- Suitable for all other brands Pre Rinse Units.



**C8067**



**PRODUCT DIMENSIONS:**



**OPTION AVAILABLE:**

Part Number	Length	Material	Angle	Screw Thread
C8066	3"	Zinc	45°	M5