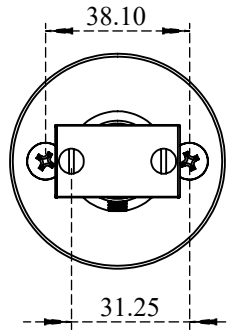


PART NO.-

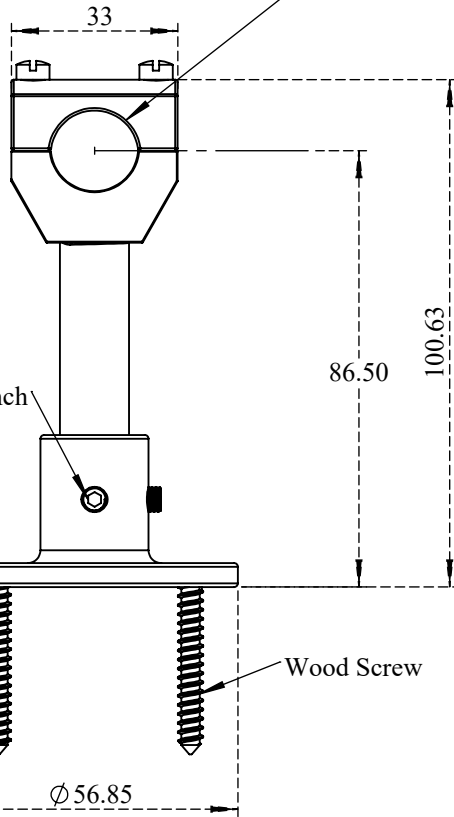
C8074Line

TITLE-

3" Wall Mount Bracket for Upright Pre-Rinse Line
Drawing



Adjustable Space for Pipe of OD 17.15 mm



Use 3/32" Allen key Hex Wrench

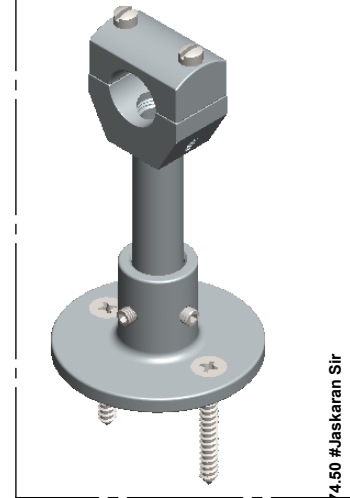
86.50

100.63

Wood Screw

38

Ø56.85



All Values are nominal and can vary to some Extent

Note:- Information provided for reference only.

All Dimensions are in mm