

FEATURES & BENEFITS:

- Fabricated from solid brass material for durability and reliability.
- Included adapter can also change the inlet to 1-1/2" NPT
- Twist Handle with heat resistant plastic grip.
- With overflow option



C8102

Chrome Plated

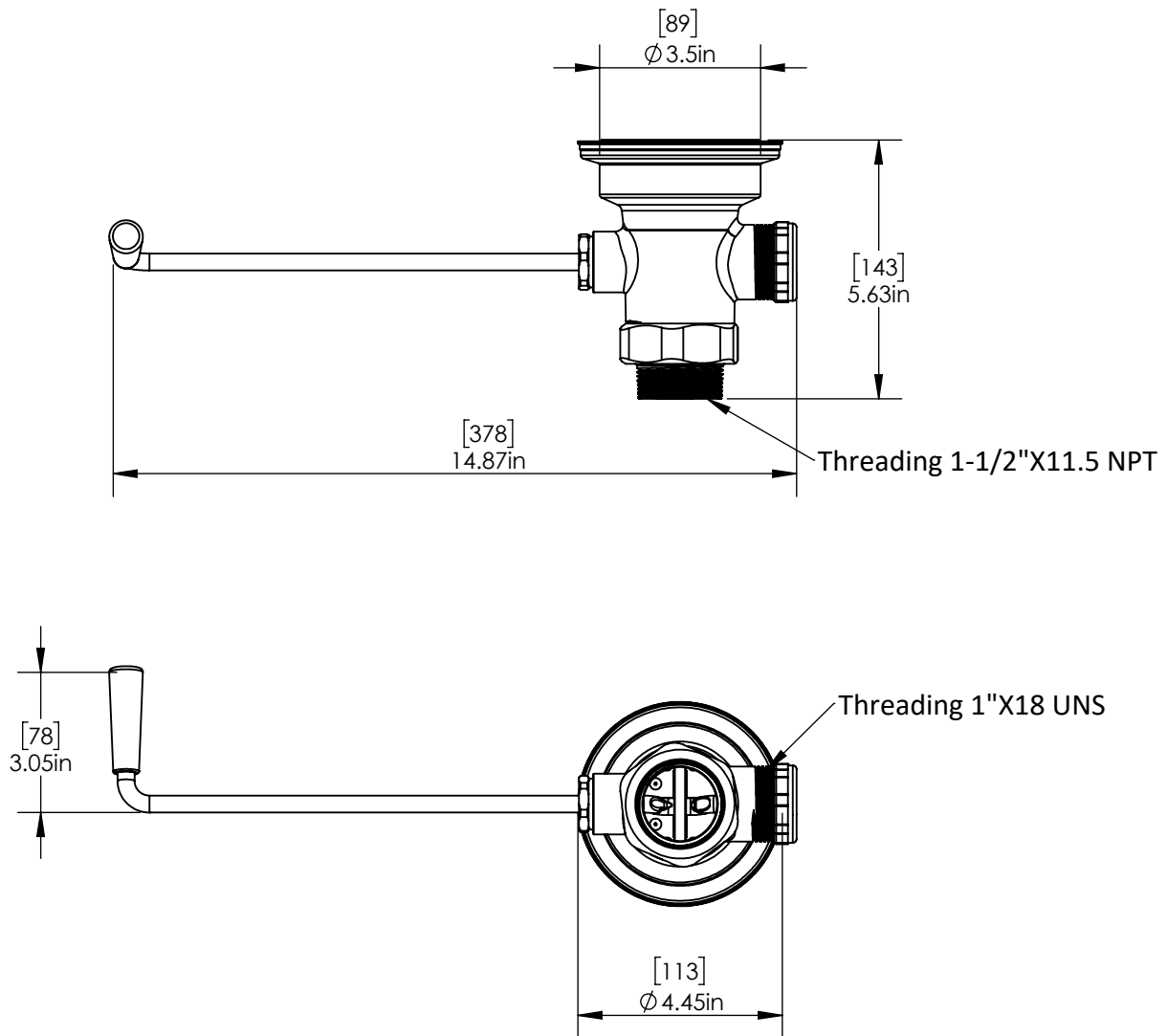
WARRANTY: One Year Warranty



US & Canada :- +1-678 666 2001
Asia:- +91-9814203010

Krome USA Inc. reserves the right to make revisions to product specifications without any notice
For most updated specification sheet , go to www.aluids.com

PRODUCT DIMENSIONS:



OPTION AVAILABLE:

| Part Number | Part Name |
|-------------|---|
| C8087 | 3" Sink Opening Waste Drain with Overflow Assembly |
| C8089 | 3-1/2" Sink Opening Waste Drain with Overflow Assembly |
| C8090 | 3" Sink Opening Waste Drain With Twist Handle, NPT Adapter, Overflow Option |