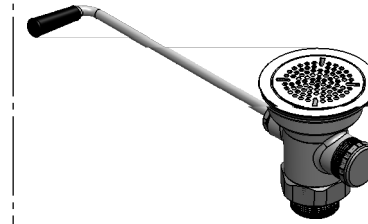
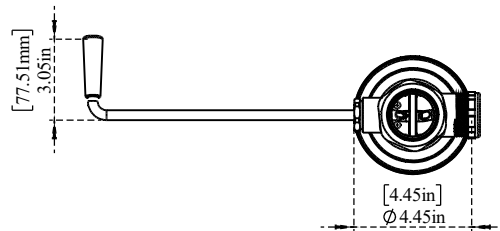
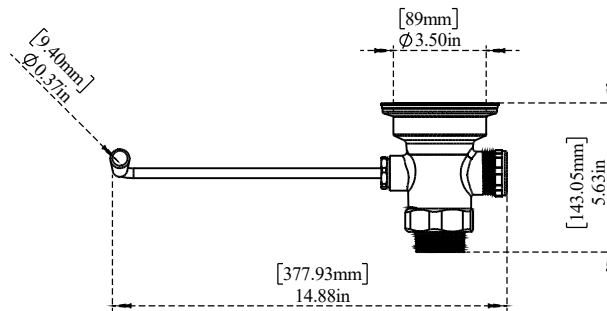


PART NO.- C8102 Line Drawing

TITLE-



**ALUIDS**

Note:- Information provided for reference only

\* This document and the information thereon is the property of Krome Dispense Pvt Ltd. & its subsidiaries. Any reproduction in part or as a whole without the written permission of Krome Dispense Pvt Ltd. is prohibited.

All dimensions are in inches, mm (in bracket)