

FEATURES & BENEFITS:

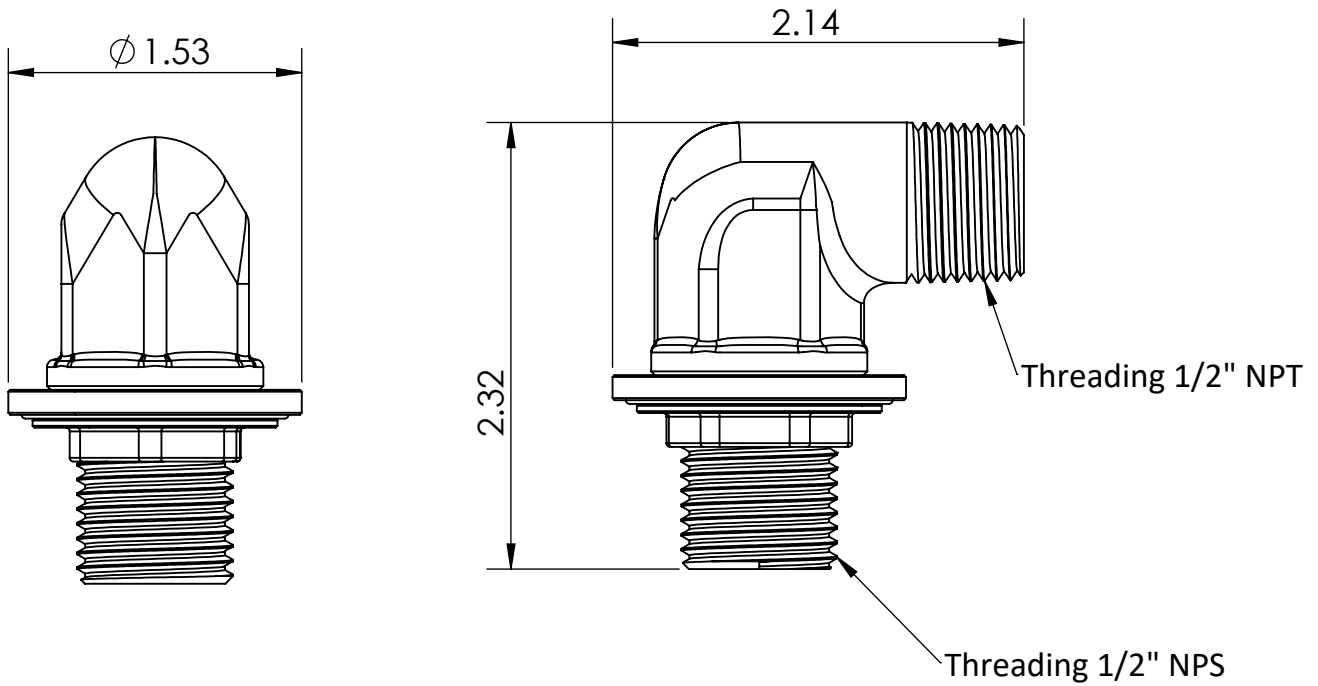
- Space saving design
- Solid brass
- Includes (2) 1/2" x 1/2" NPT Close Elbows, (2) 1/2" NPT Nipples, (2) washers & (2) locknuts



C8112



PRODUCT DIMENSIONS:



OPTION AVAILABLE: No Option Available