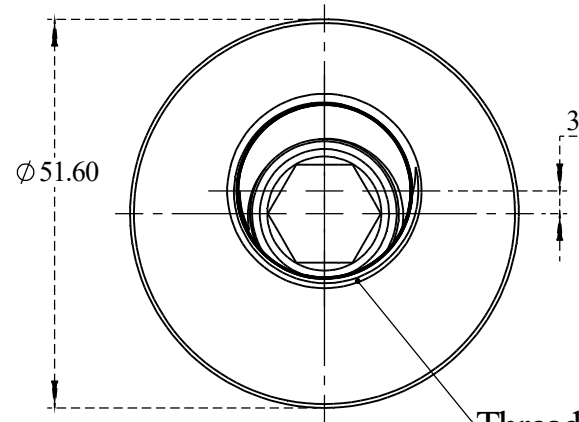
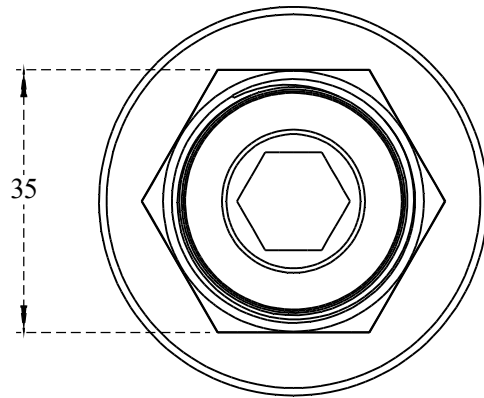


PART NO.-

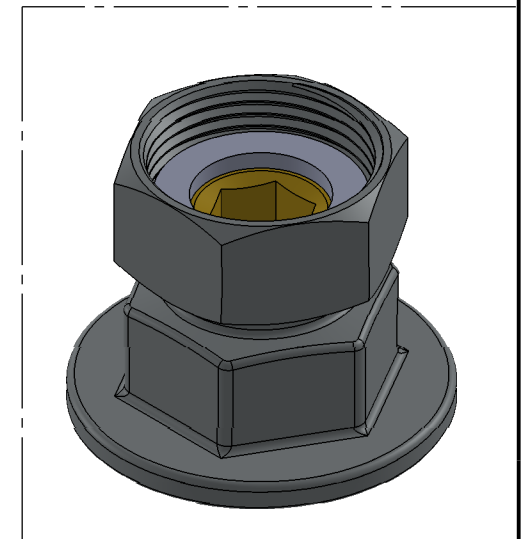
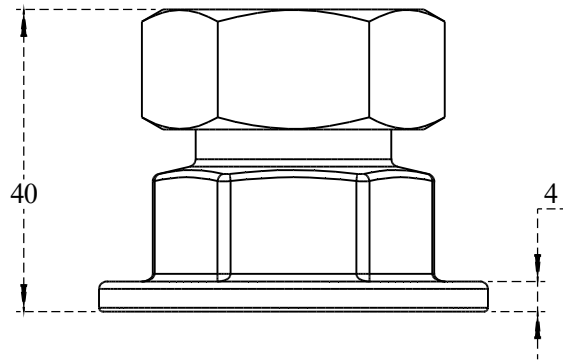
C8122 Line Drawing

TITLE-

3/4" NPT Female Eccentric Flange assembly with washer Line drawing



Threading 3/4" NPT
Female Inlet



Note:- Information provided for reference only.

All Dimensions are in mm