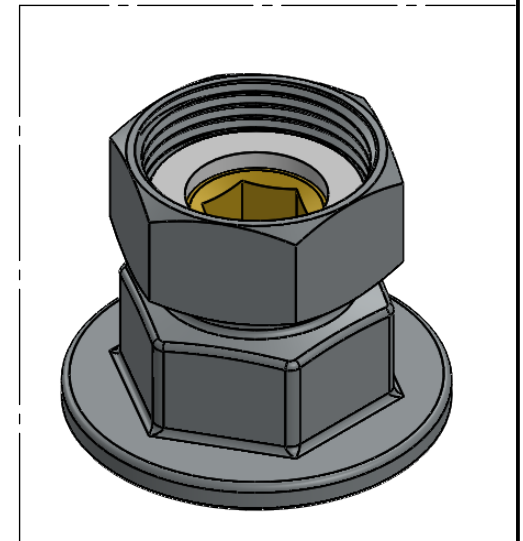
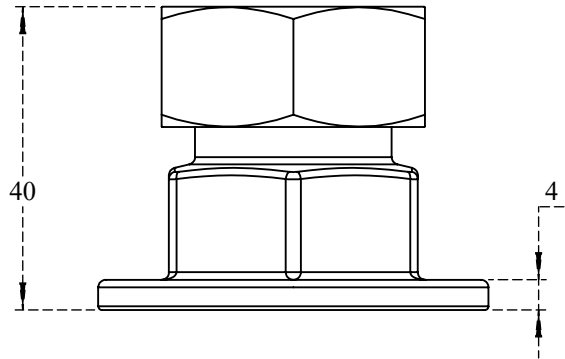
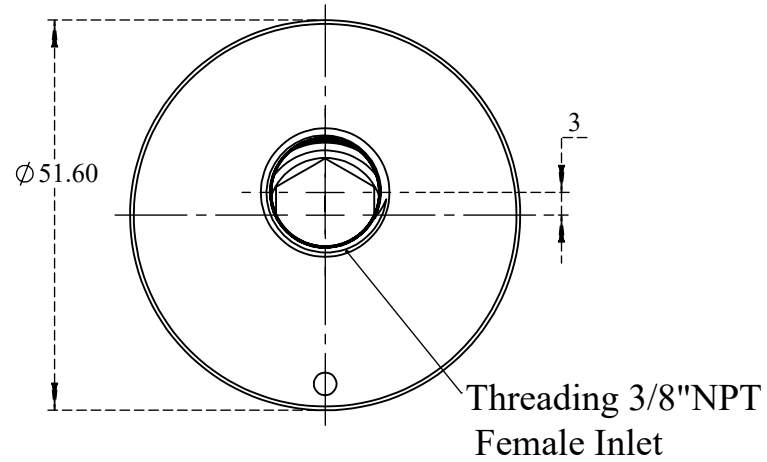
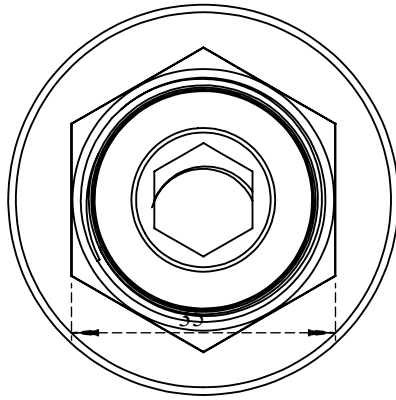


PART NO.-

C8123 Line Drawing

TITLE-

3/8" NPT Female Eccentric Flange assembly with washer Line drawing



Note:- Information provided for reference only.

All Dimensions are in mm