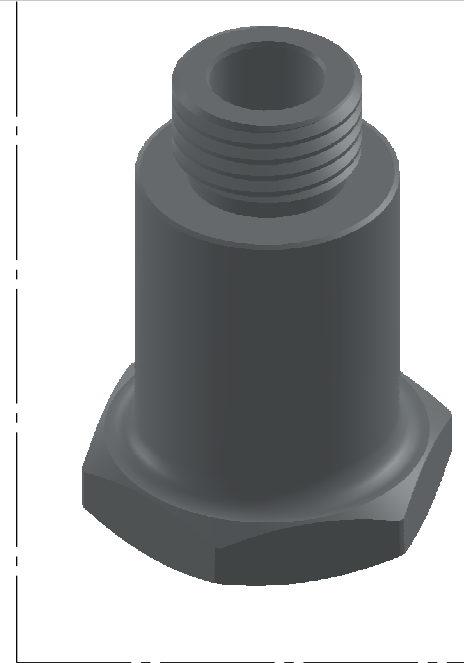
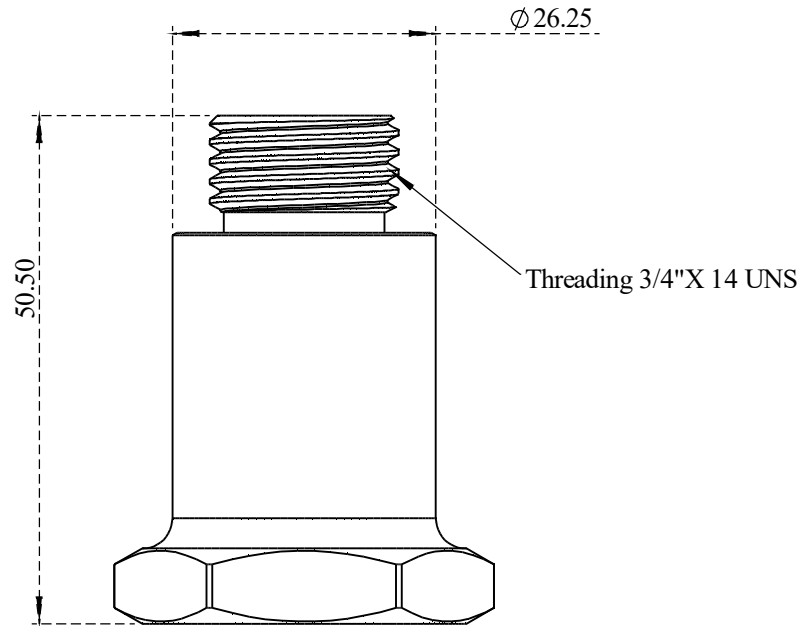
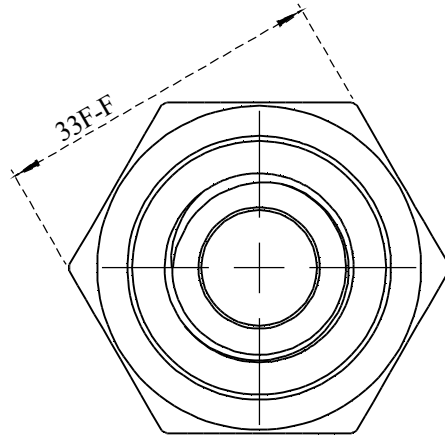


PART NO.-

C8126 Line Drawing

TITLE-

Spring Holder Line Drawing



Threading Note Correction

Note:- Information provided for reference only.

All Dimensions are in mm