

FEATURES & BENEFITS:

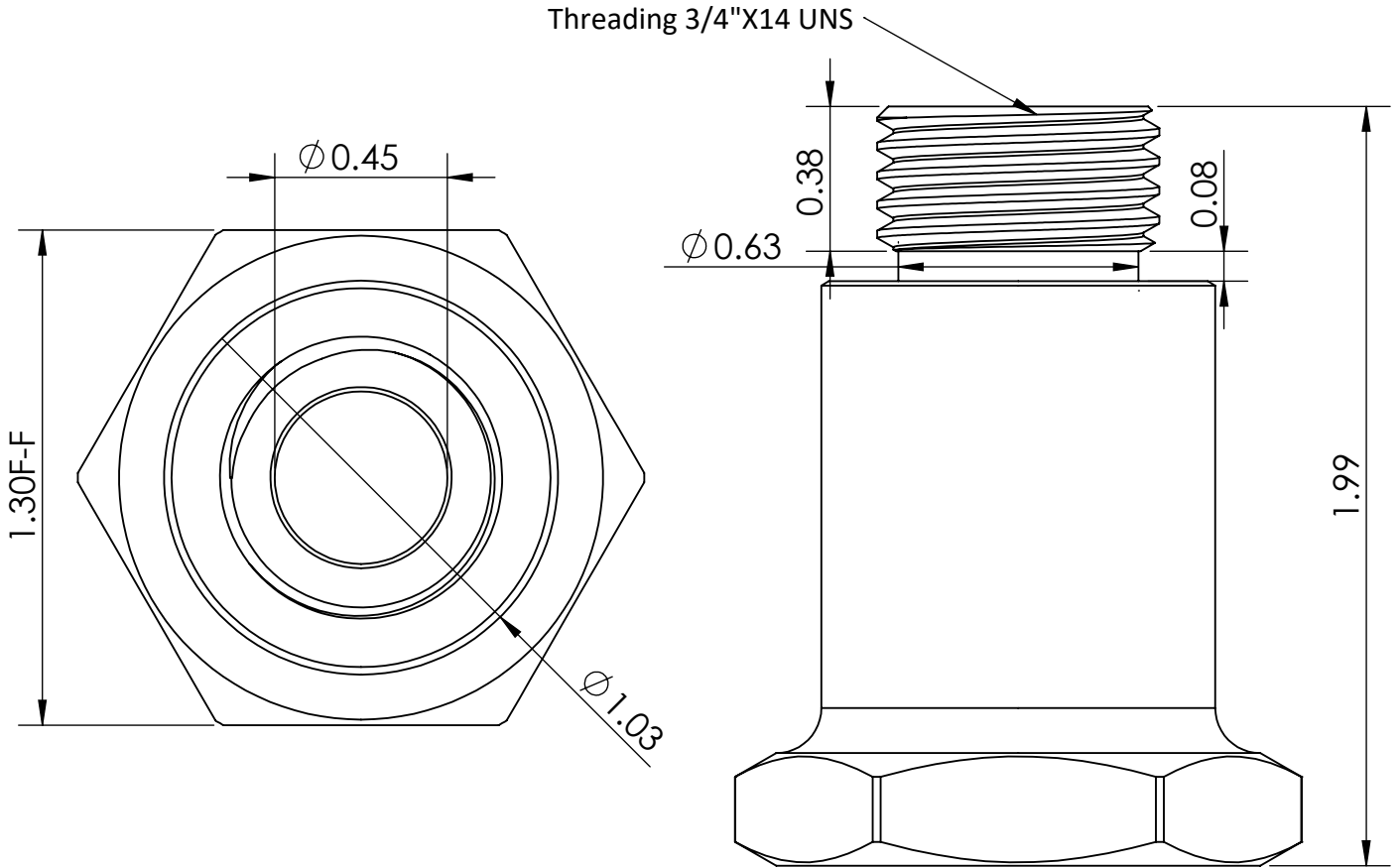


C8126

Polished Chrome

WARRANTY: One Year Warranty

PRODUCT DIMENSIONS:



OPTION AVAILABLE: No Option Available