

FEATURES & BENEFITS:

- Designed to collect debris, odors, and gases efficiently
- For use in under-sink installation for kitchen and bathroom sinks
- 22 Gauge Chrome plated brass
- Fits direct connect tubes
- Slip joint extension tube.
- Installation is quick and easy also. stallation is quick and easy also.

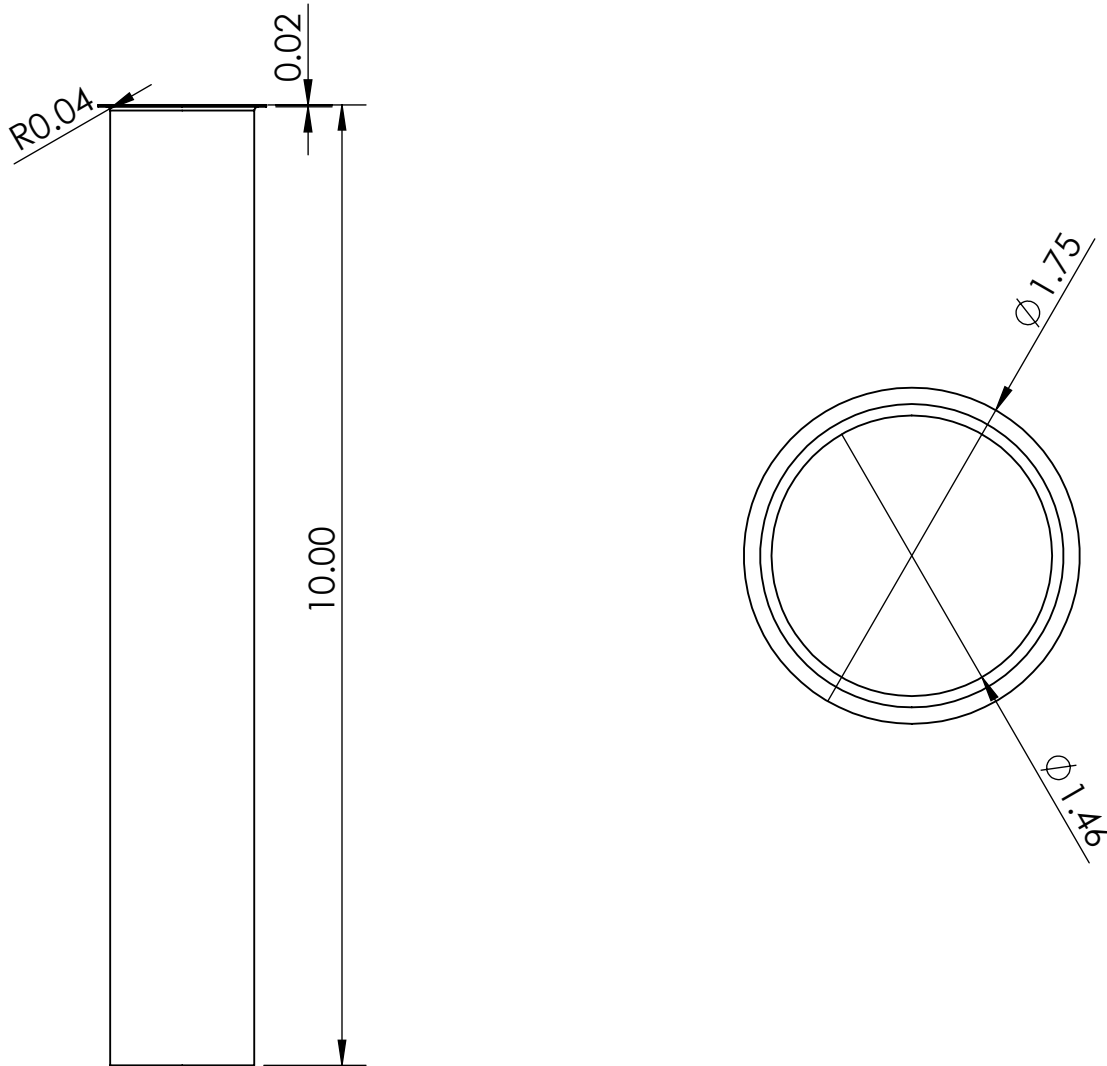


C8150

Polished Chrome

WARRANTY: One Year Warranty

PRODUCT DIMENSIONS:



OPTION AVAILABLE:

Part Number	Length (Inch)	Material	Finish
C8144	4"	Brass	Polished Chrome
C8146	6"	Brass	Polished Chrome
C8148	8"	Brass	Polished Chrome
C8152	12"	Brass	Polished Chrome
C8156	16"	Brass	Polished Chrome

US & Canada :- +1-678 666 2001
 Asia:- +91-9814203010

Krome USA Inc. reserves the right to make revisions to product specifications without any notice
 For most updated specification sheet , go to www.aluids.com