

Features & Benefits:

- Stainless steel, Corrosion-resistant metal construction
- Quick Connection
- No Rust, Ensuring quality and longevity
- Designed to enhance the looks and convenience of your bathroom
- Durable finish

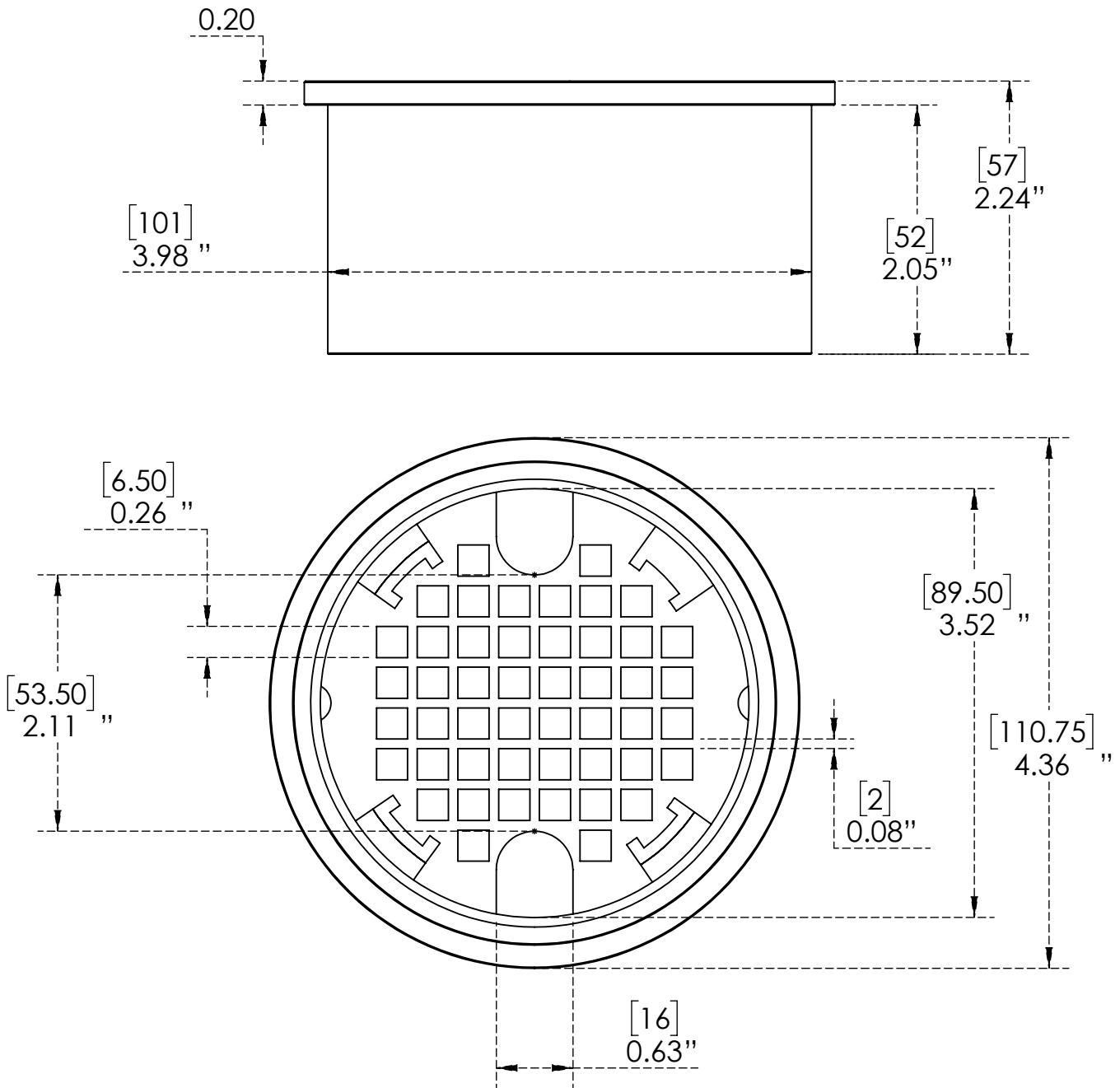


C8524

Polished Chrome

Warranty: One Year (Limited)

Product Dimensions:-



Copyright © 2017 Krome USA Inc. All Rights Reserved

Options Available:- No Option Available

US & Canada :- +1-678 666 2001
Asia:- +91-9814203010

Krome USA Inc. reserves the right to make revisions to product specifications without any notice
For most updated specification sheet , go to www.aluids.com

