

Features & Benefits:

- Durable finish
- This drain strainer is ideal for your home and served multi purpose
- Designed to enhance the looks and convenience of your bathroom
- Durable, No Rust, Ensuring quality and longevity
- Design of elliptical holes, effectively grasp the hair and not block the drainage

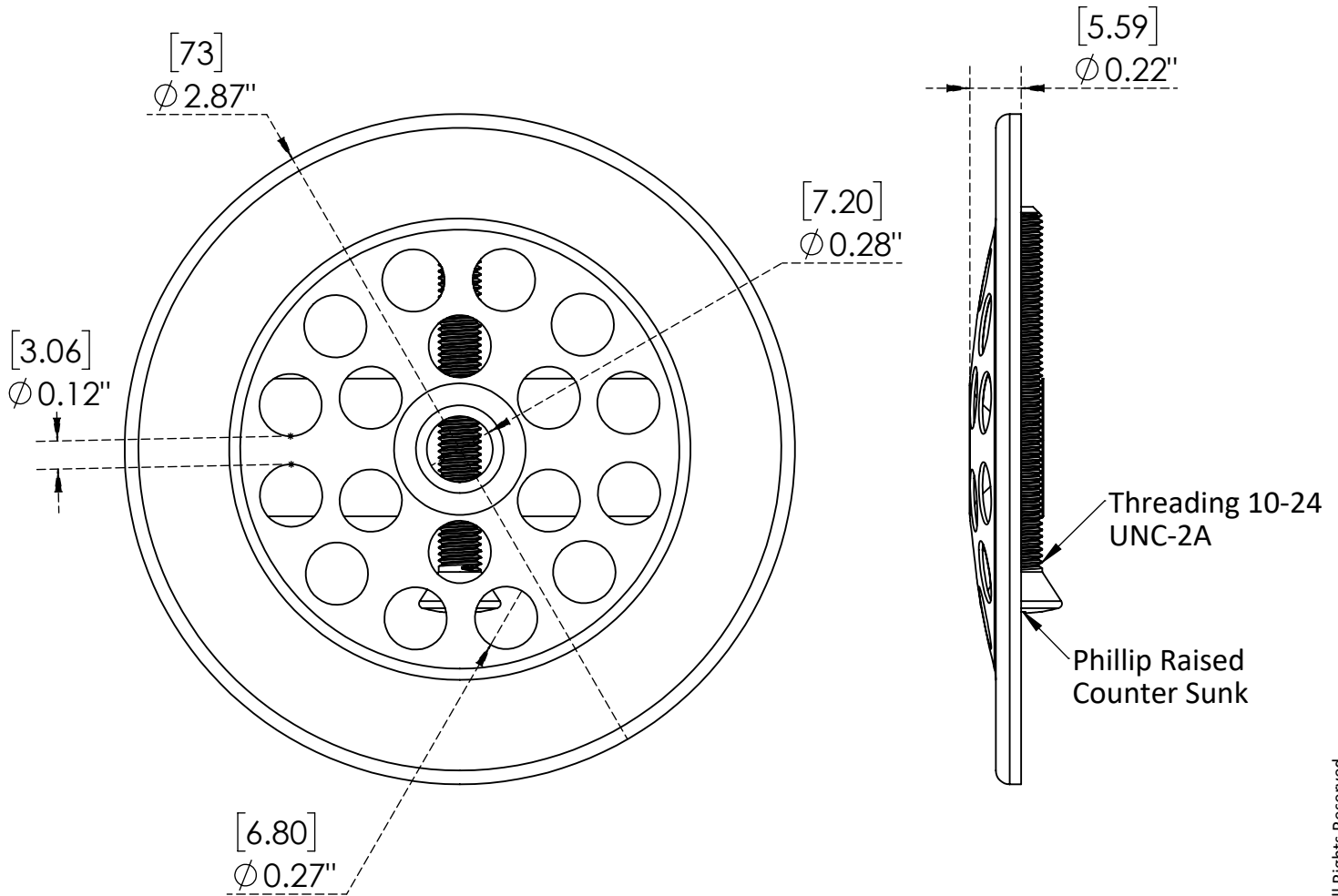


C8033

Brushed Nickel

Warranty: One Year (Limited)

Product Dimensions:-



Options Available:-

Part Number	Material	Dia (mm)	Finish
C8031	Steel	73	Polished Gold
C8032	Steel	73	Chrome Plated

US & Canada :- +1-678 666 2001
 Asia:- +91-9814203010

Krome USA Inc. reserves the right to make revisions to product specifications without any notice
 For most updated specification sheet , go to www.aluids.com

