

## Features & Benefits:

- Brass Construction for Maximum Durability
- Finish= Brushed Nickel
- Designed for Easy Above-Counter Installation
- 2 Rubber rings - one rubber ring touches the bottom of basin, the other touches the countertop, to avoid water leakage and protect basin and countertop from scratching
- Perfect for your sink to decorate home, spa, villa, hotel, restaurant etc.

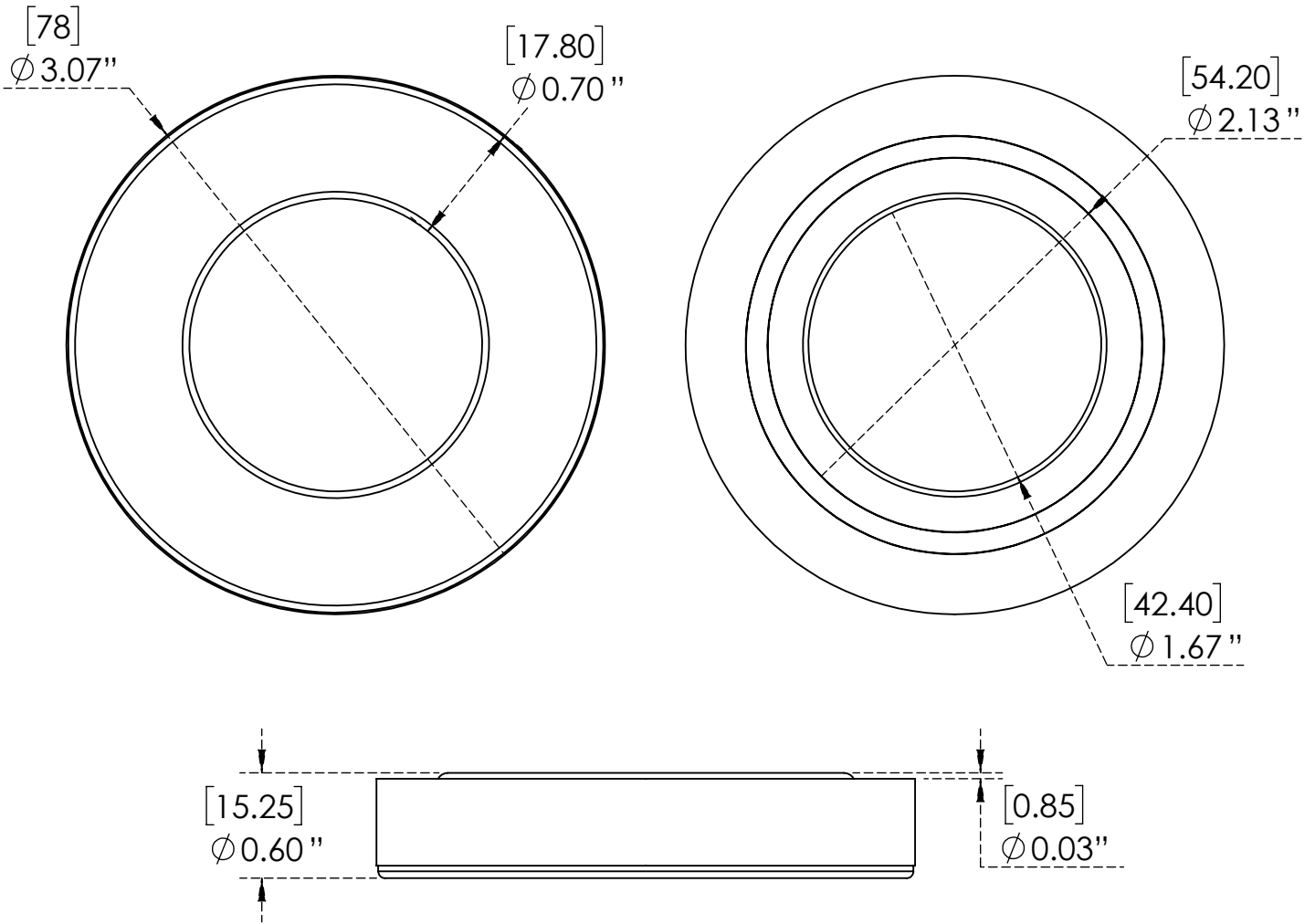


**C8143**

Chrome Plated

**Warranty:** One Year (Limited)

**Product Dimensions:-**



**Options Available:-**

Part Number	Size (Inch)	Finish
C8142	3.07	Brushed Nickle