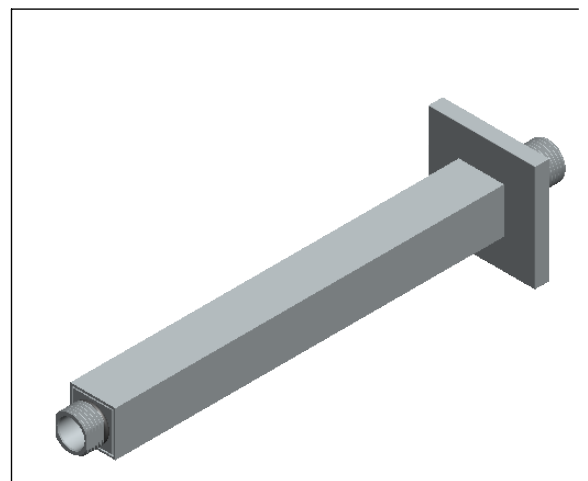
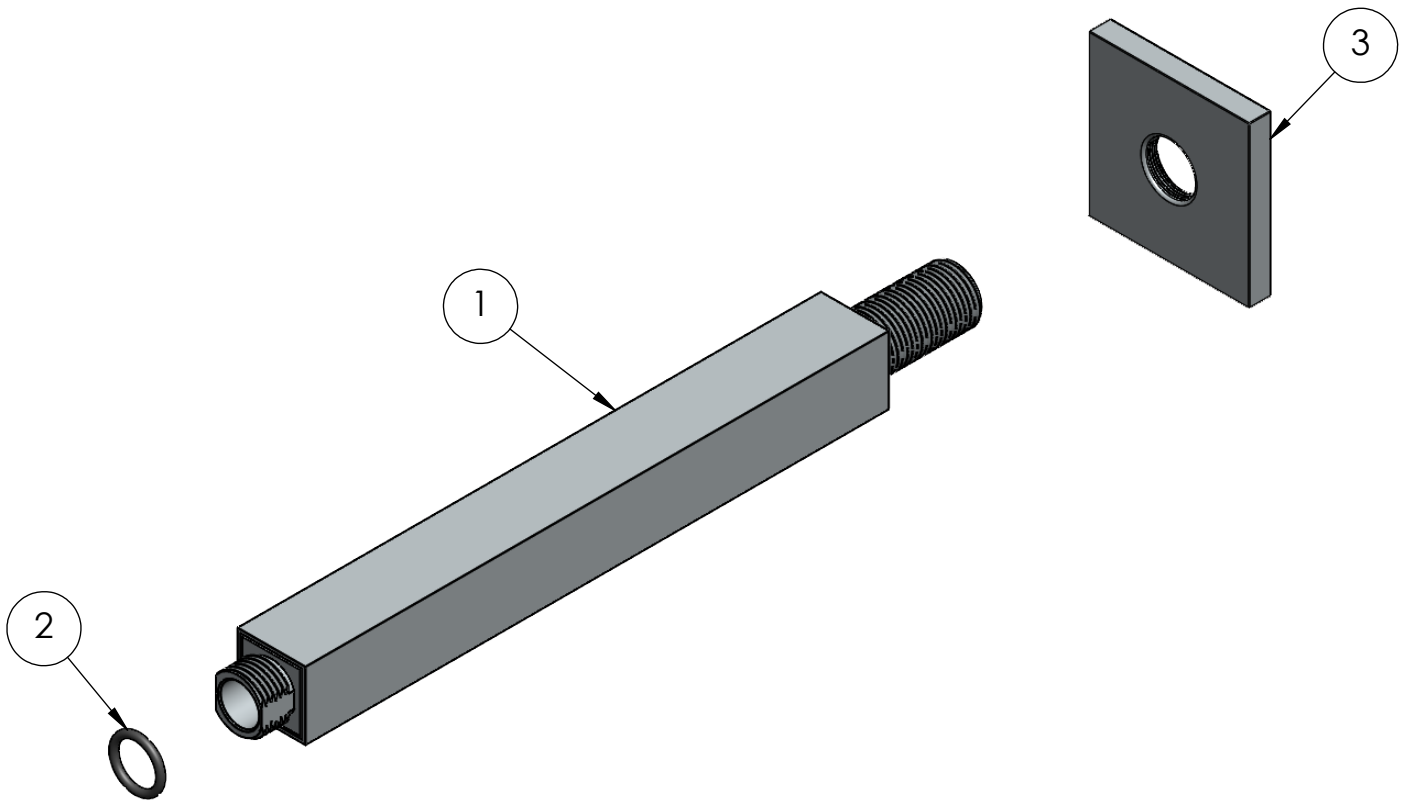


ItemNo.	Part No.	Part Name	Qty.
1	C8900.01	Pipe and Bush Welding	1
2	11812.01 Viking	Bush O-Ring	1
3	C8902.02	Flange For Square Shower Arm	1



Copyright © 2017 Krome USA Inc. All Rights Reserved

US & Canada :- +1-678 666 2001
Asia:- +91-9814203010

Krome USA Inc. reserves the right to make revisions to product specifications without any notice
For most updated specification sheet , go to www.aluids.com