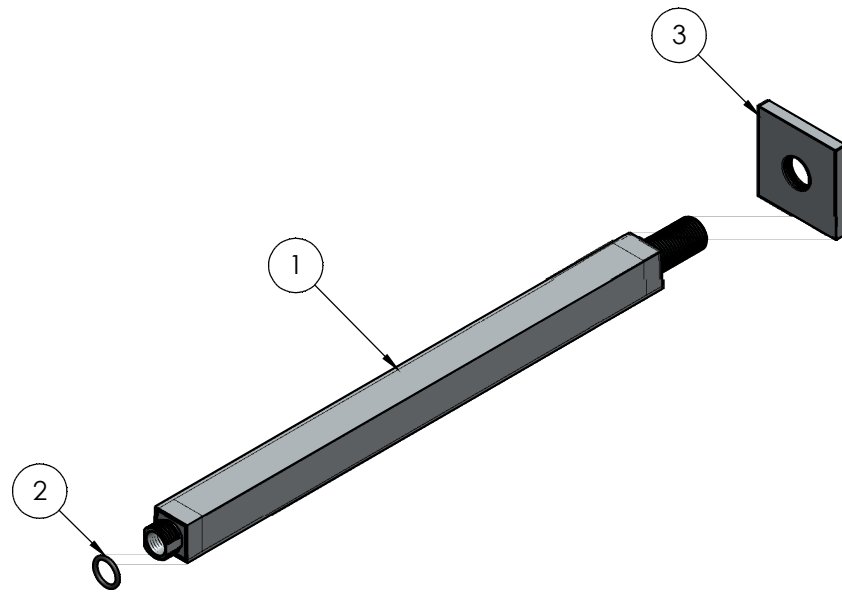
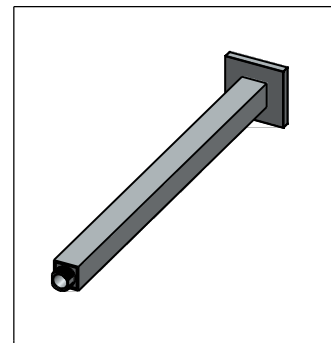


| ItemNo. | Part No. | Part Name | Qty. |
|---------|-----------------|------------------------------|------|
| 1 | C8998.01 | Pipe and Bush Welding | 1 |
| 2 | 11812.01 Viking | Bush O-Ring | 1 |
| 3 | C8902.02 | Flange For Square Shower Arm | 1 |



Copyright © 2017 Krome USA Inc. All Rights Reserved



US & Canada :- +1-678 666 2001
 Asia:- +91-9814203010

Krome USA Inc. reserves the right to make revisions to product specifications without any notice
 For most updated specification sheet , go to