

Features & Benefits:

- Made from brass for higher corrosion resistance than steel
- Specialty products for the food service industry
- Relative softness of metal enables tighter seals and greater ease in installation
- Provides Strong and Long Life Durability
- Easy to use, clean and maintain

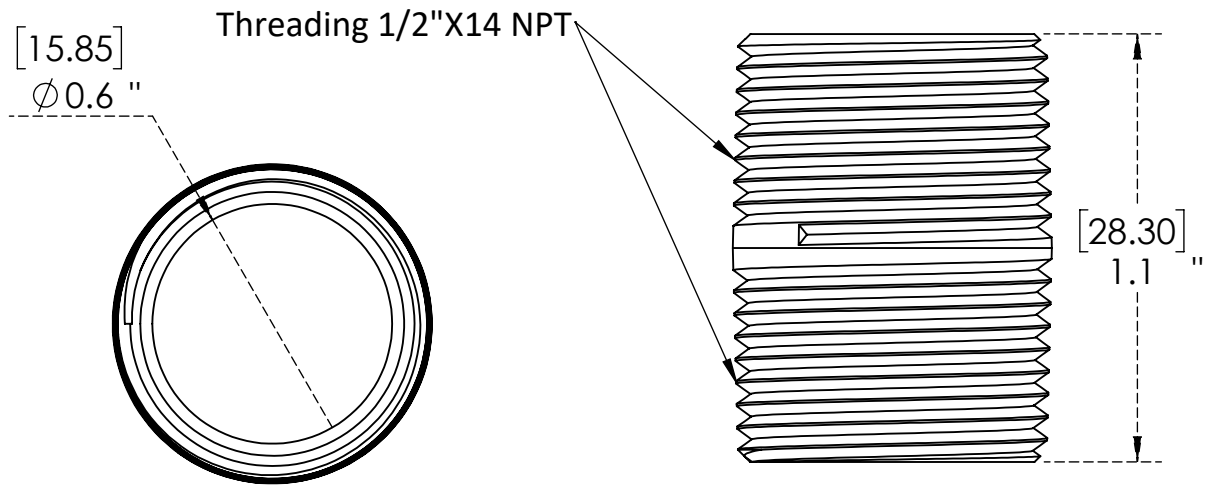


C9500

Electro Polish

Warranty: One Year (Limited)

Product Dimensions:-



Options Available:- No Option Available