

### Features & Benefits:

- Easy Installation, Non Corrosive, Economical, Durable
- specially for food-service, industrial, commercial plumbing and laboratory markets
- High quality brass body

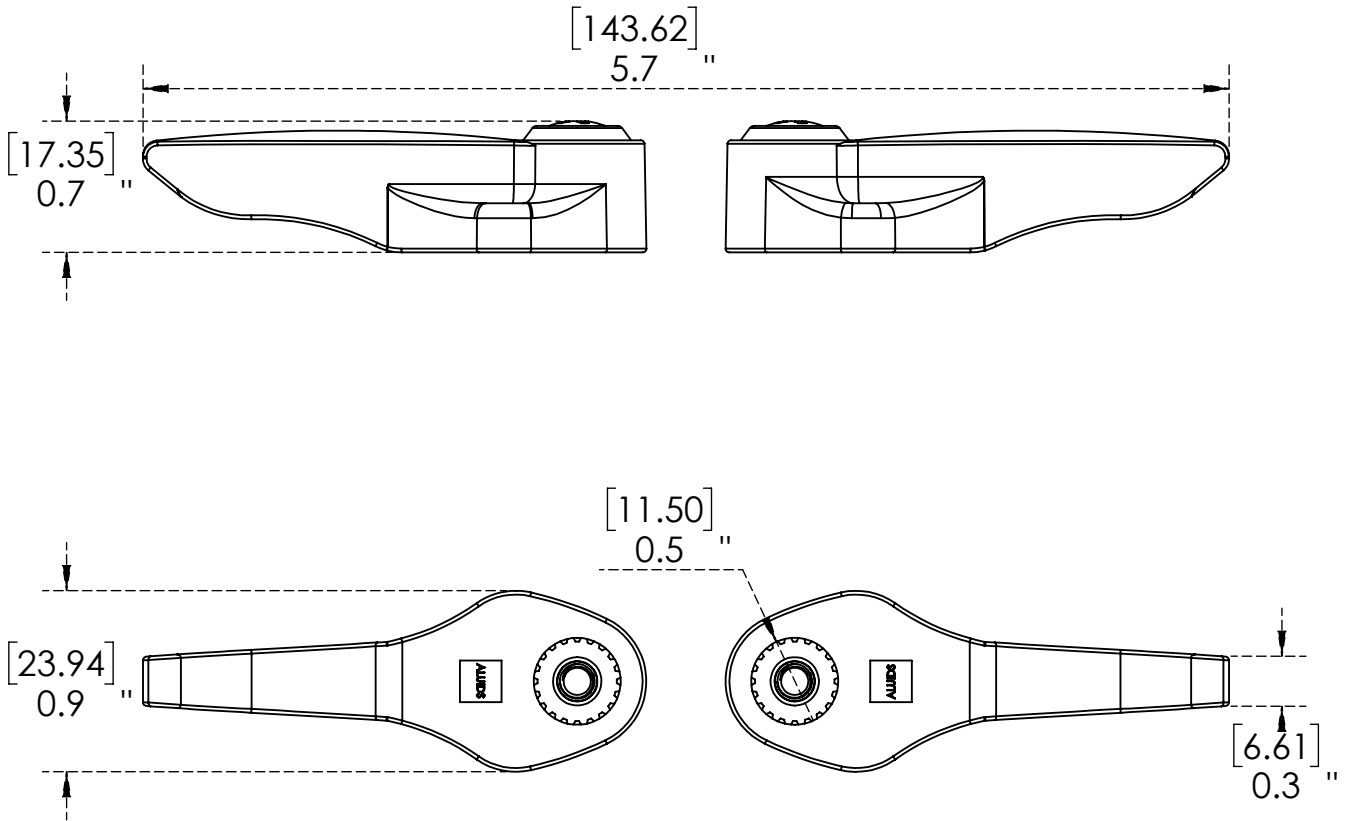


**C9502**

Polished Chrome

**Warranty:** One Year (Limited)

**Product Dimensions:-**



**Options Available:-**

Part Number	Part Name	Water Control	Finish
C9503	Economy Lever Handle Kit	Hot/Cold	Polish Chrome

US & Canada :- +1-678 666 2001  
 Asia:- +91-9814203010

Krome USA Inc. reserves the right to make revisions to product specifications without any notice  
 For most updated specification sheet , go to [www.aluids.com](http://www.aluids.com)

