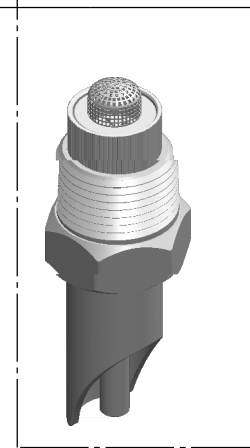
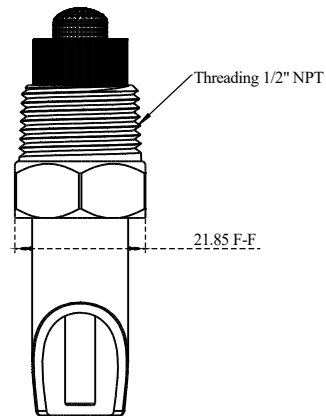
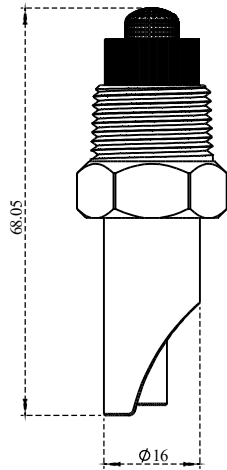


PART NO.- C8015 Line Drawing

TITLE- Baby C Spindle Tap Line Drawing



All dimensions are in mm



Note:- Information provided for reference only

* This document and the information thereon is the property of Krome Dispense Pvt Ltd. & its subsidiaries. Any reproduction in part or as a whole without the written permission of Krome Dispense Pvt Ltd. is prohibited.