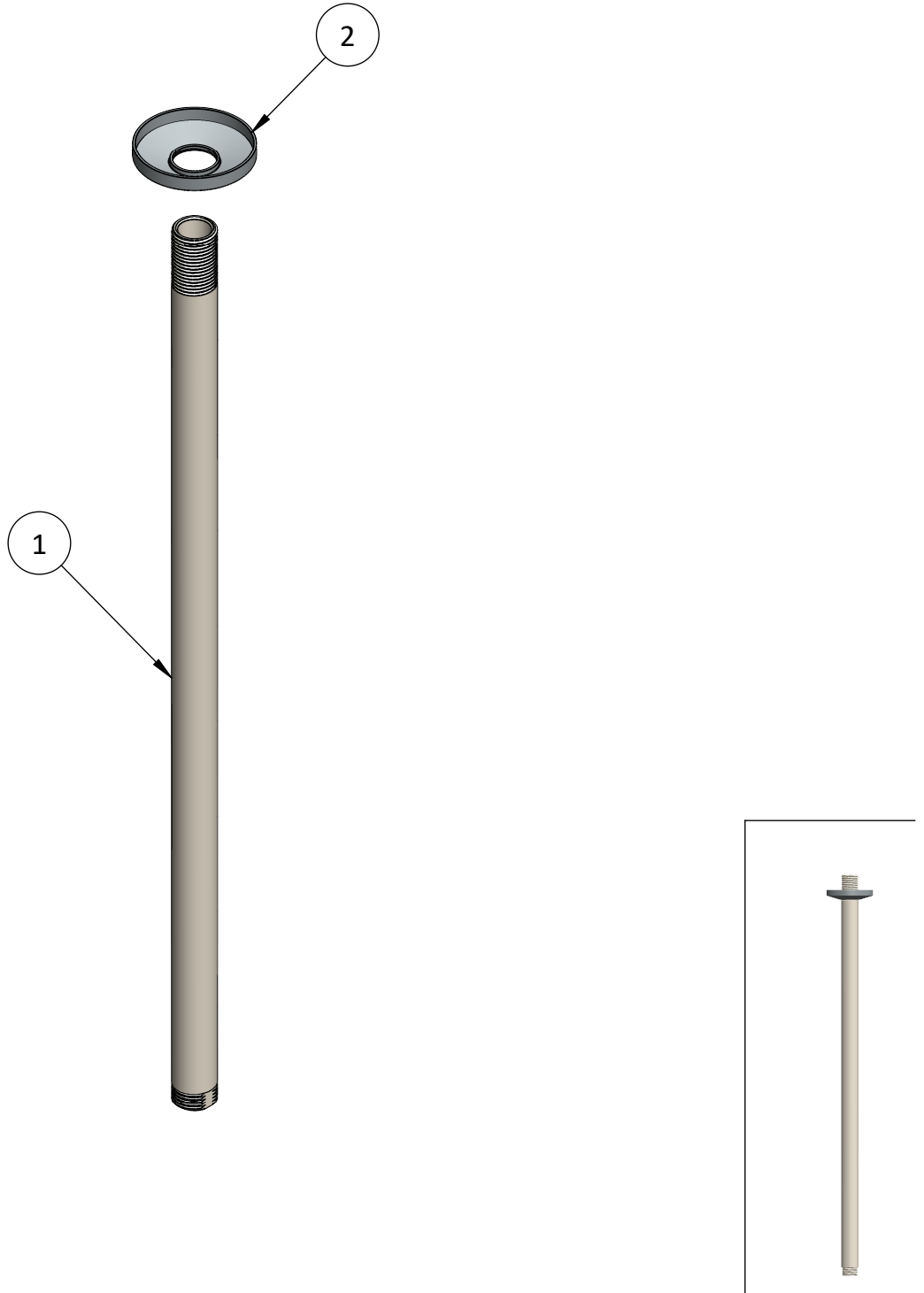


ItemNo.	Part No.	Part Name	Material	Qty
1	C8892.01	Body Shower Arm	Brass	1
2	C8884.02	Flange	Brass	1



Copyright © 2017 Krome USA Inc. All Rights Reserved