

## Features & Benefits:

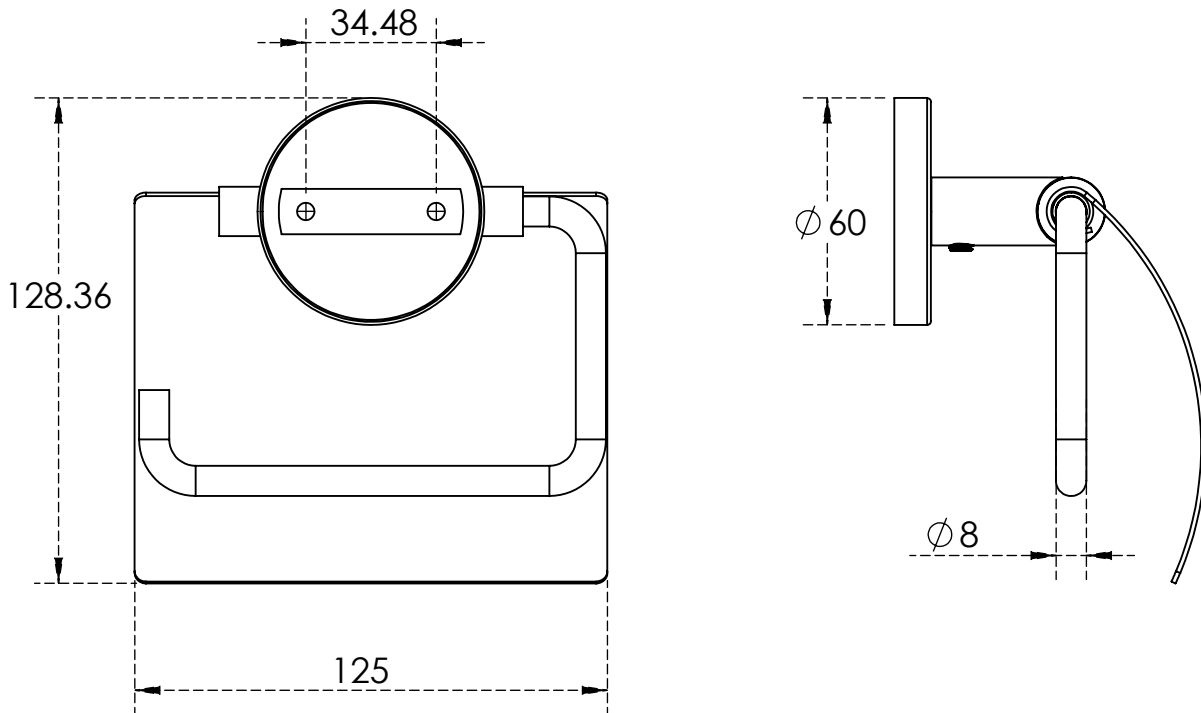
- Strong Mounting Hardware Included.
- All metal construction, ensuring quality and longevity.
- One piece, No assembly required.
- Quick & Easy Installation.



**C1952**

**Warranty:** One Year (Limited)

**Product Dimensions:-**



**Options Available:-**

Part No.	Part Name	Series	Finish
C1951	Toilet Paper Holder	H2O	Polished Chrome
C1953	Double Toilet Paper Holder	H2O	Polished Chrome
C1957	Toilet Paper Holder Vertical	H2O	Polished Chrome