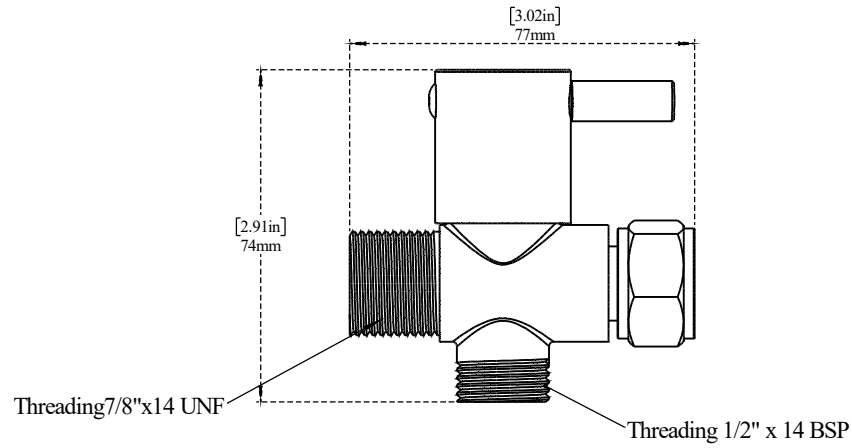
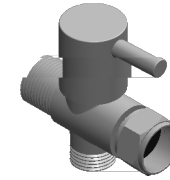


PART NO.- C8215 Line Drawing

TITLE- T-Valve Assembly Line Drawing



**ALUIDS** Note:- Information provided for reference only

\* This document and the information thereon is the property of Krome Dispense Pvt Ltd. & its subsidiaries. Any reproduction in part or as a whole without the written permission of Krome Dispense Pvt Ltd. is prohibited.