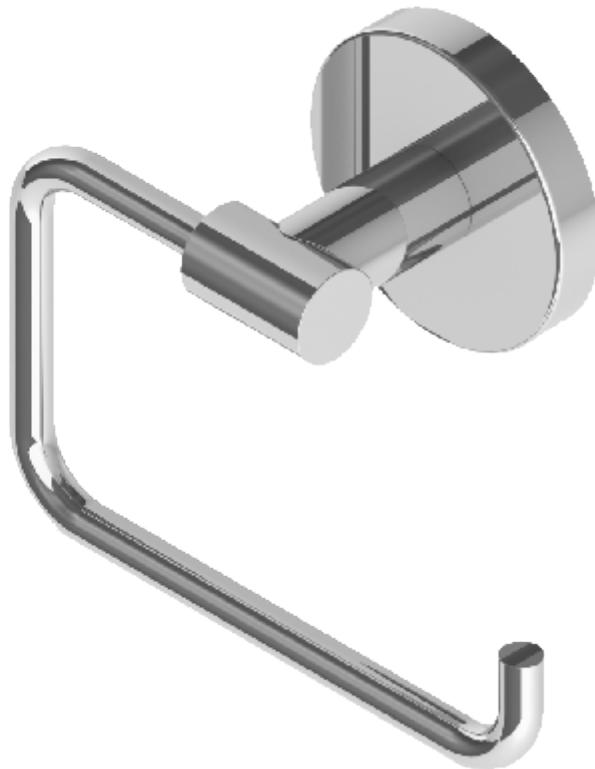


- Strong Mounting Hardware Included.
- All metal construction, ensuring quality and longevity.
- One piece, NO assembly required
- Quick & Easy Installation



C1951

Polished Chrome

Options Available

Part No	Part Name	Series	Finish
C1953	Double Toilet Paper Holder	H20	Polished Chrome
C1952	Toilet Paper Holder with Flap	H20	Polished Chrome
C1957	Toilet Paper Holder Vertical	H20	Polished Chrome

Product Dimensions:-

