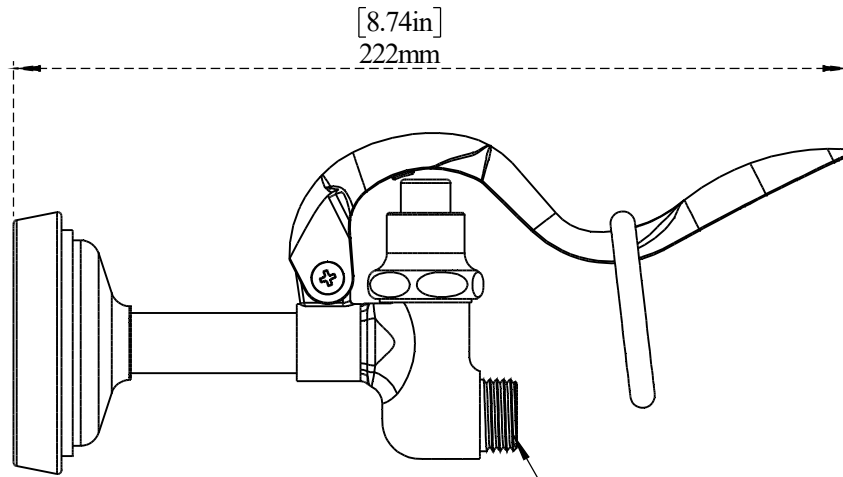


PART NO.-

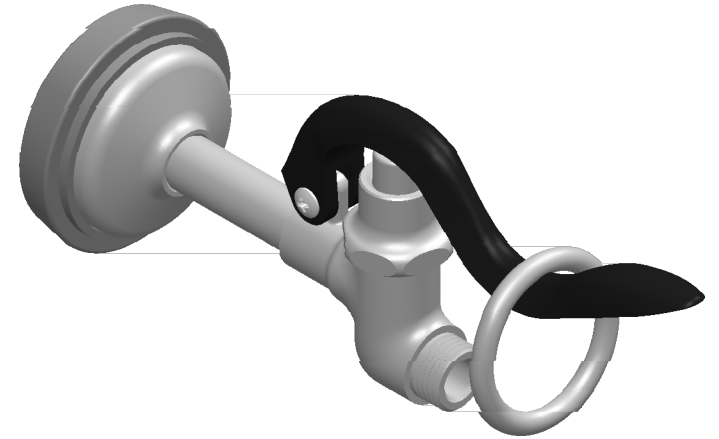
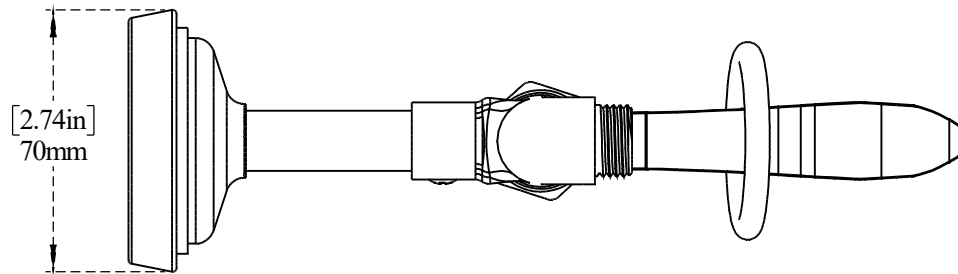
C8249 Line drawing

TITLE-

Eco Line - Hi-Flow Spray Valve - 4.50 GPM



Threading 3/4" x14 UNS



ALUIDS

Note:- Information provided for reference only.

* This document and the information thereon is the property of Krome Dispense Pvt Ltd. & its subsidiaries. Any reproduction in part or as a whole without the written permission of Krome Dispense Pvt Ltd. is prohibited.