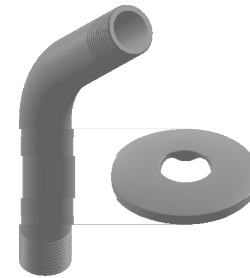
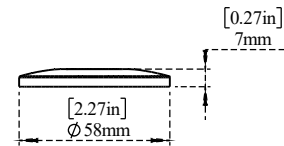
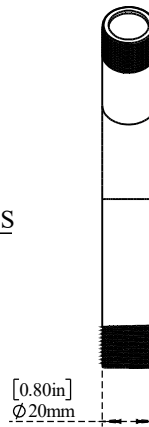
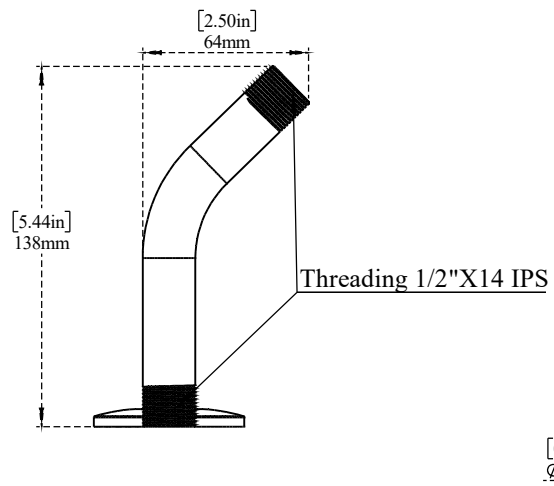


PART NO.- C8082 Line drawing

TITLE- 6" Shower Arm Pipe and Flange



ALUIDS

Note:- Information provided for reference only

* This document and the information thereon is the property of Krome Dispense Pvt Ltd. & its subsidiaries. Any reproduction in part or as a whole without the written permission of Krome Dispense Pvt Ltd. is prohibited.