

For Residential and Commercial Applications

Job Name _____
 Job Location _____
 Engineer _____
 Approval _____

Contractor _____
 Approval _____
 Contractor's P.O. No. _____
 Representative _____

Series

Single Hole Deck Mount Faucet with Rigid Gooseneck

C8451 Series



Sizes:

Single Hole, Single Lever deck mount with 3-3/4" to 8-1/2" Rigid Gooseneck Nozzle

Features & Benefits:

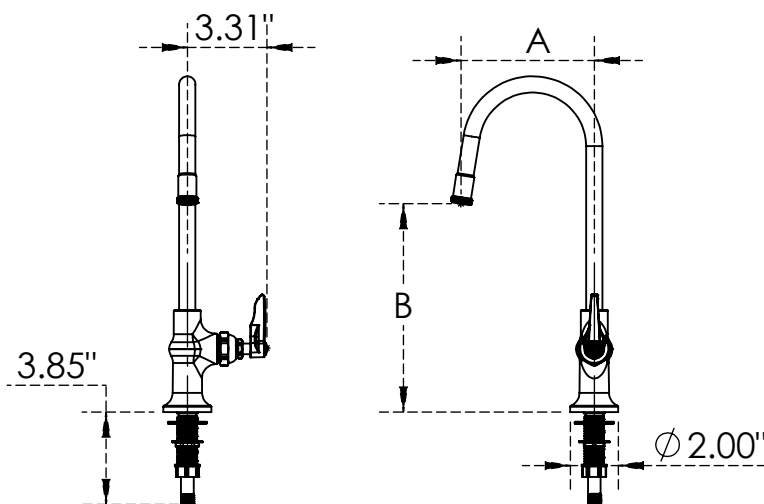
- Rigid goose neck with Stream Regulator & 1/2" NPSM Male Inlet
- Stream regulator outlet
- Lever handle with color coded index
- Optional tailpiece and nut for 1/4" NPT male connection
- Free flow Aerator
- Warranty 3 Years

Product Compliance:

California Proposition 65

Performance Data:

Pressure: 20- 125 PSI
 Temperature: 40 °F to 140 °F



Dimensions - Weights

Aerators:

Standard Aerator	Suffix
<input type="checkbox"/> 0.20 GPM	E1
<input type="checkbox"/> 0.50 GPM	E2
<input type="checkbox"/> 1.00 GPM	E3
<input type="checkbox"/> 1.50 GPM	E4
<input type="checkbox"/> 1.80 GPM	E5
<input type="checkbox"/> 2.20 GPM	E6

Vandal Resistant Aerator	Suffix
<input type="checkbox"/> 0.35 GPM	G1
<input type="checkbox"/> 0.50 GPM	G2
<input type="checkbox"/> 1.00 GPM	G3
<input type="checkbox"/> 1.50 GPM	G4

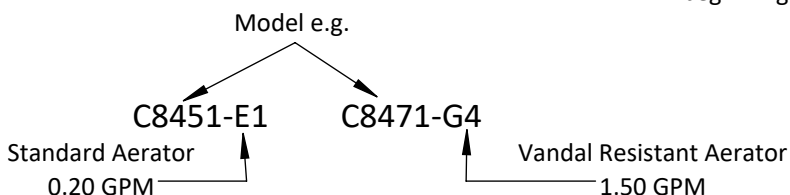
Laminar Flow Outlet	Suffix
<input type="checkbox"/> 0.50 GPM	F1
<input type="checkbox"/> 1.50 GPM	F2

Vandal Resistant Laminar Flow Outlet	Suffix
<input type="checkbox"/> 0.35 GPM	H1
<input type="checkbox"/> 0.50 GPM	H2
<input type="checkbox"/> 1.00 GPM	H3
<input type="checkbox"/> 1.50 GPM	H4

MODEL	Main Body		DIMENSIONS						WEIGHT
	Faucet Body	Rigid Nozzle	Body Centre Holes		Rigid Gooseneck Spread A		Length B		
			in	mm	in	mm	in	mm	lbs.
C8471	C8183	C8073	8"	203	3-3/4"	89	8.51"	216.1	3.88
C8451	C8183	C8201	8"	203	5-1/2"	144	8.68"	220	4.25
C8427	C8183	C8213	8"	203	8-1/2"	216	10.88"	276	4.37

NOTICE

The information contained herein is not intended to replace the full product installation and safety information available or the experience of a trained product installer. You are required to thoroughly read all installation instructions and product safety information before beginning the installation of this product.



US & Canada :- +1-678 666 2001

Krome product Specifications in U.S. customary units and metric are approximate and are provided for reference only. For precise measurements, please contact Krome Technical Service. Krome reserves the right to change or modify product design, construction, specifications, or materials without prior notice and without incurring any obligation to make such changes and modifications on Krome products previously or subsequently sold. For most updated specification sheet, go to www.aluids.com

Copyright © 2017 Krome USA Inc. All Rights Reserved
 Date:23/12/2020
 Revision: