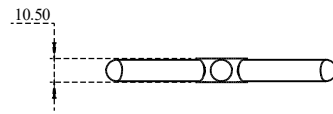
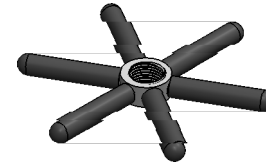
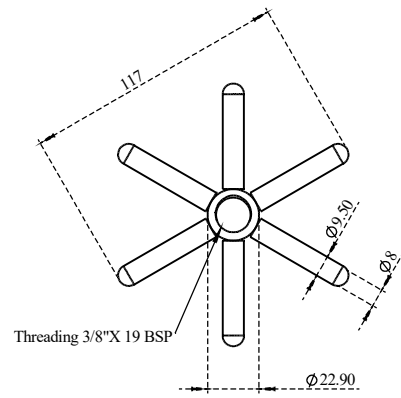


PART NO.- C4016 Line Drawing

TITLE- Stainless Steel Replacement Disk for Rinser Assembly
Line Drawing



Note- Information provided for reference only.

All Dimensions are in mm