

## Features & Benefits:

- Simple and Functional, Durable and Classy Addition
- Toothbrush Holder is also suitable for intensive use in hotels and medical institutions
- durability in wet environments because of the strength of the material
- This bathroom accessory is perfect for holding your toothbrushes

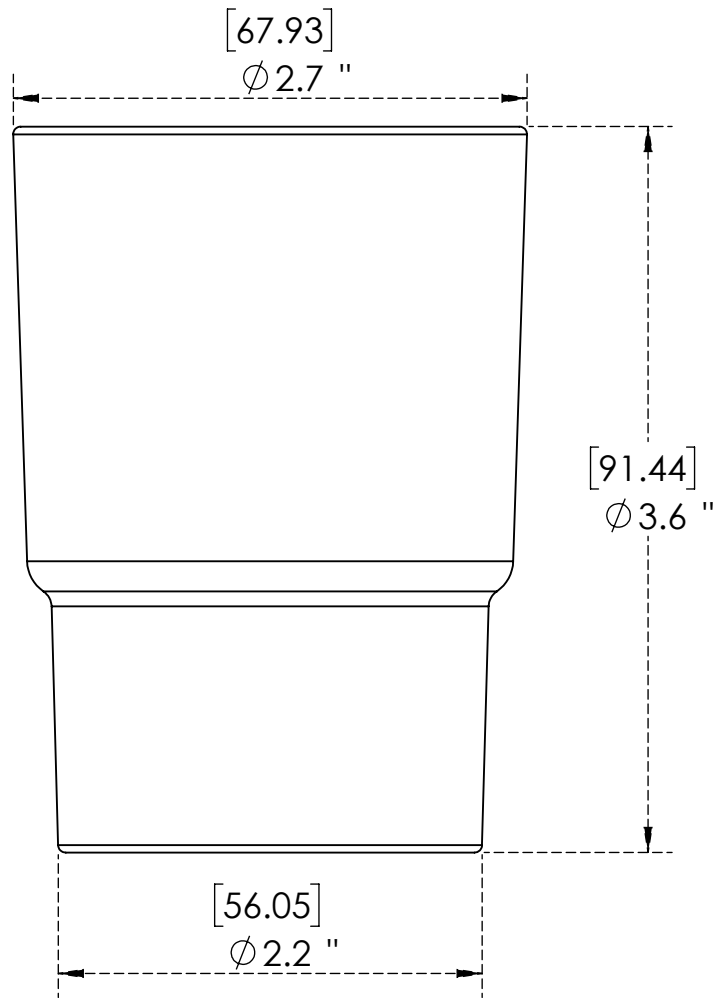


**C8570**

Frosted

**Warranty:** One Year (Limited)

## Product Dimensions:-



## Options Available:-

Part Number	Length (inches)	Finish
C8568	3.8"	Transparent

US & Canada :- +1-678 666 2001  
Asia:- +91-9814203010

Krome USA Inc. reserves the right to make revisions to product specifications without any notice  
For most updated specification sheet , go to [www.aluids.com](http://www.aluids.com)

ALUIDS