

Features & Benefits:

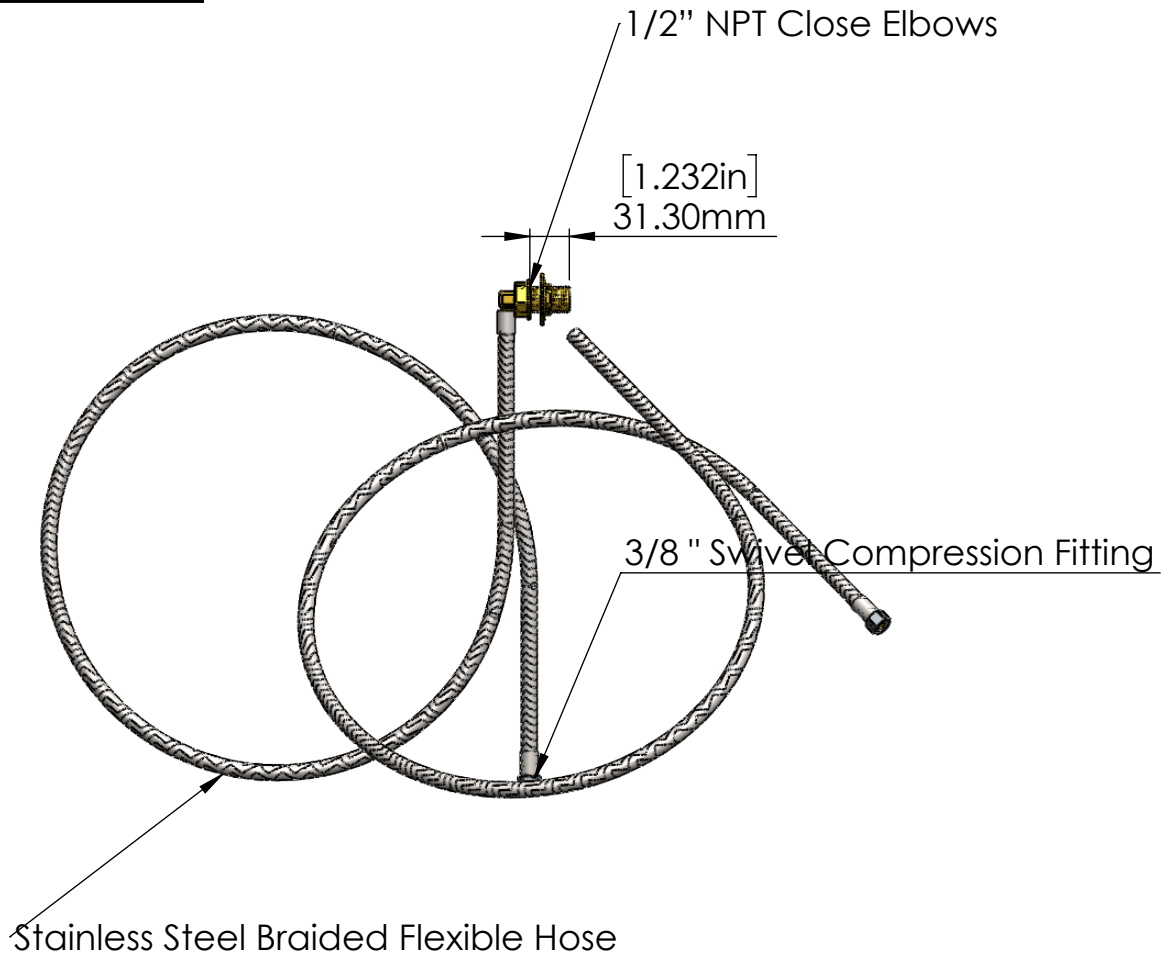
- Two 3/8" Stainless Steel Braided Flexible Hoses.
- Includes 1/2" NPT Close Elbows With 3/8" Swivel Compression Fittings.
- Soldering or Teflon Tape not Required.
- Swivel Compression fittings on the water supply side.



C8585

Warranty: One Year (Limited)

Product Dimensions:-



Options Available:-

Part no.	Part Name
C8581	3/8" Wall Mount Faucet Water Line Kit - 22" Length
C8582	1/2" High Volume Wall Mount Faucet Water Line Kit- 18" length
C8583	3/8" Wall Mount Faucet Water Line Kit - 22" Length with Mounting Hardware
C8584	3/8" Traditional Flexible Water Line Kit - 24" Length with Mounting Hardware