

Features & Benefits:

- Floor mounted single pedal valve w/ polished chrome plated brass body.
- Deck mount rigid gooseneck for remote locations.
- 5 13/16" rigid gooseneck.
- Lock washer provided for rigid application.
- 2.2 GPM Rosespray outlet, Series 1.
- 1/2" NPSM male inlet w/ 2" flange.
- Tailpiece and nut for 1/4" NPT male connection.

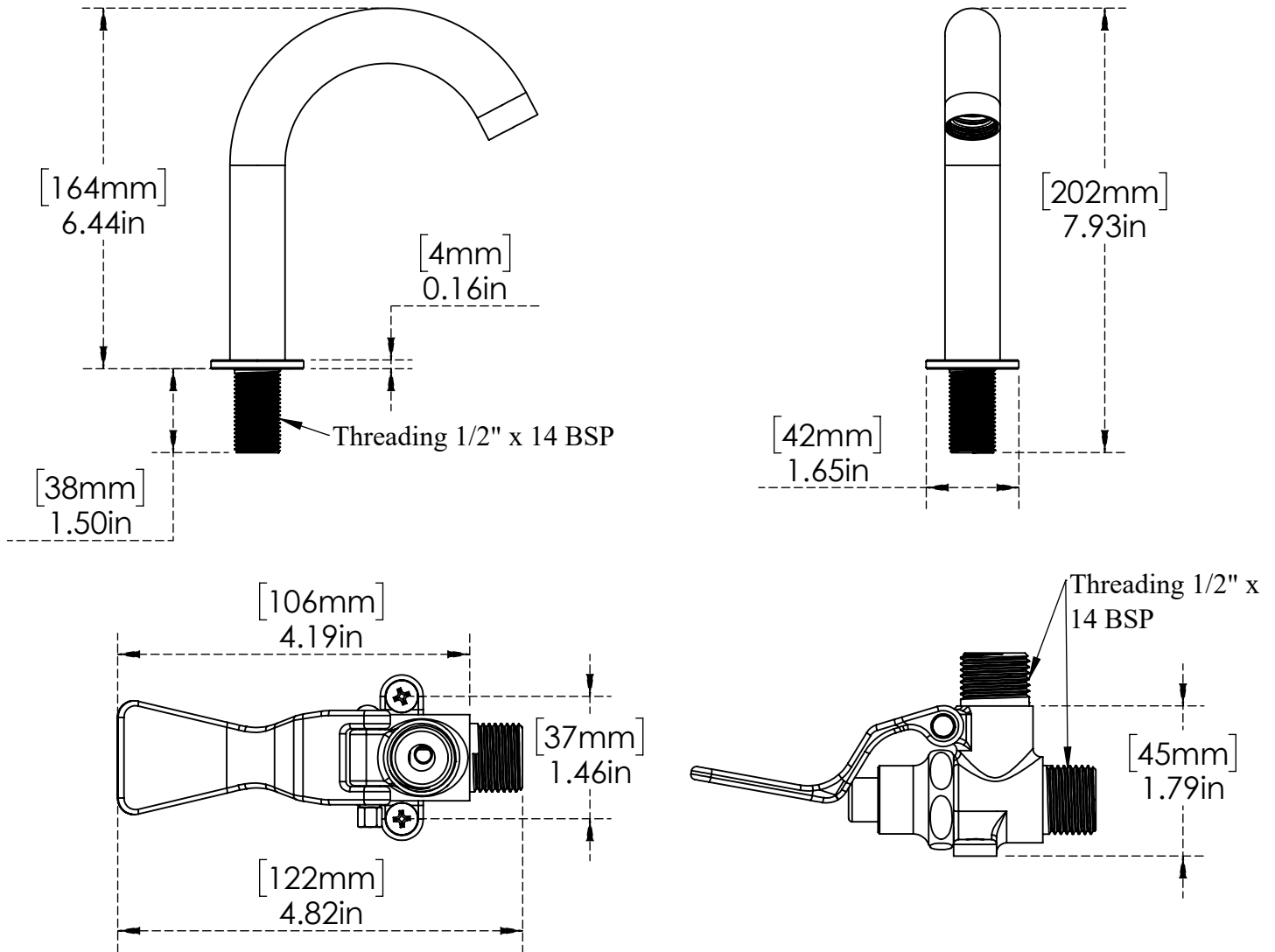


C8856

Polished Chrome

Warranty: One Year (Limited)

Product Dimensions:-



Note: It includes connection pipe With CP nut 48"

Options Available:-

Part No.	Description
C8855	Single Pedal Valve Rigid with 1/2 NPT male thread Swivel Gooseneck spout

US & Canada :- +1-678 666 2001
 Asia:- +91-9814203010

Krome USA Inc. reserves the right to make revisions to product specifications without any notice
 For most updated specification sheet , go to www.aluids.com

