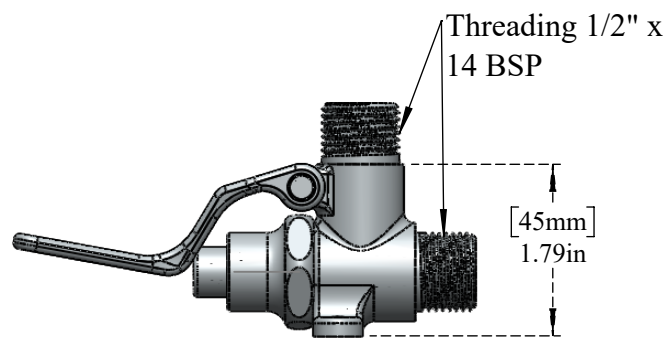
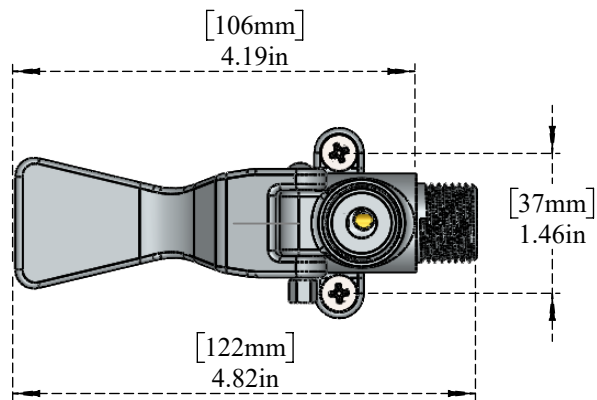
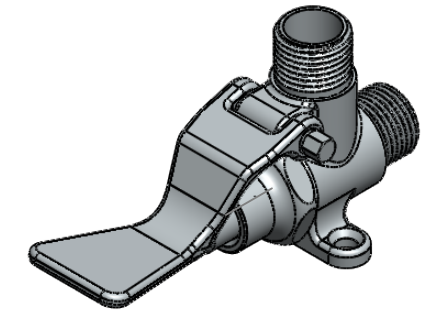
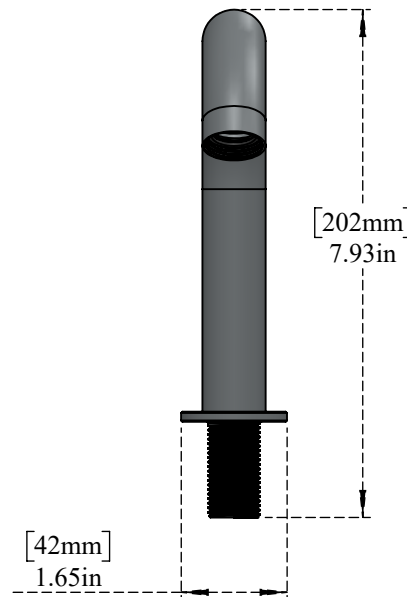
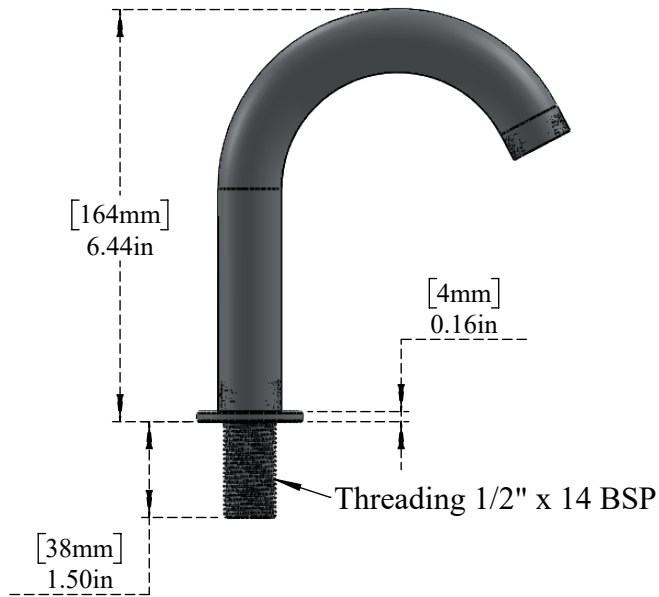


PART NO.-

C8856 Line Drawing

TITLE-

Single Pedal Valve, Floor Mount, 1/2" NPT Inlet, Rigid Gooseneck



Note: It includes connection pipe With CP nut 48"

All dimensions are in inches, mm (in bracket)

ALUIDS	Note:- Information provided for reference only.
	* This document and the information thereon is the property of Krome Dispense Pvt Ltd. & its subsidiaries. Any reproduction in part or as a whole without the written permission of Krome Dispense Pvt Ltd. is prohibited.