

Replacement Parts for Foot Pedal Valve

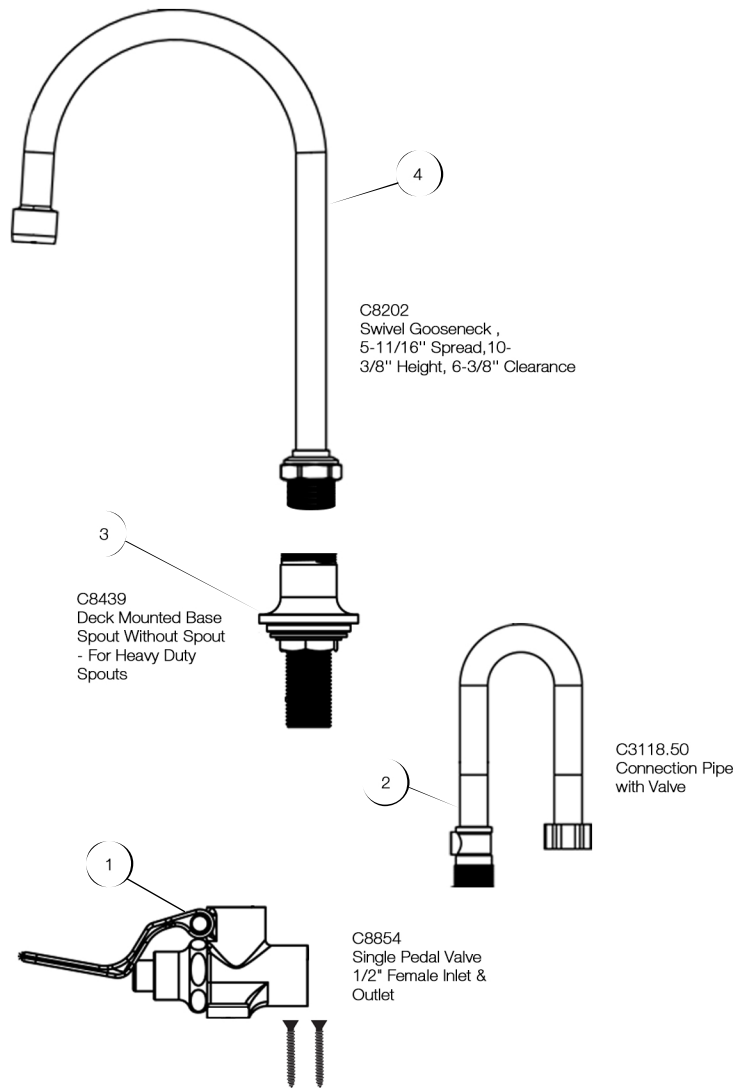


Figure 1

ALUIDS

Foot Pedal Valve Installation Manual

ALUIDS is a well known manufacturer of innovative range of specialty products and accessories for foodservice, commercial plumbing, industrial and Institutional markets. It is part of Krome USA Inc., which has more than 45 years of experience from its parent manufacturing facilities.

Our products rank high in terms of design, innovation and contemporary appeal. We adhere to strict manufacturing standards and our every component is rigorously checked for its performance and endurance by simulating its actual working conditions in our well-equipped world class center.

Limited Warranty - One Year

ALUIDS extends warranty to its products and parts thereof (except as noted below) against defects in materials or workmanship for a period of one year from the date of original purchase. In this one year time frame, ALUIDS will replace a defective product or part without charge to the customer, provided that the entire product is delivered back to our facility. All transportation and insurance charges for shipping the product to and from ALUIDS must be borne by you.

A complete copy of our Limited Warranty terms and conditions is available upon

Warning

This product can potentially expose you to chemicals including Lead, Nickel, Di(2-ethylhexyl) phthalate (DEHP) which are known to the State of California to cause cancer, birth defects or reproductive harm. For more information go to: www.P65Warnings.ca.gov



KEEP THIS MANUAL FOR FUTURE REFERENCE

ALUIDS

CALL : 678 666 2001

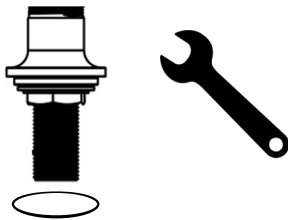
www.aluids.com

Installation Instructions for Foot Pedal Valve

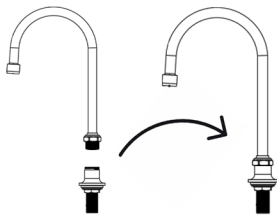
CONSULT YOUR LOCAL DEPARTMENT WITH JURISDICTION REGARDING BACKFLOW PREVENTION

Installation Notes :

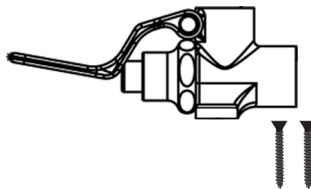
1. Check that the water supply and drain connections are shut off. (Fig. 1, C3118.50)
2. Drill a hole of 22mm dia on the surface you chose to mount the gooseneck spout.(Fig. 1, C8202)
3. Place the Deck mount base (Fig. 1, C8439) on the hole made above. Fasten it by tightening the rubber washer and checknut with the help of a wrench.



4. Now place the spout on the Deck mount base and tighten the hex nut to secure the connection.



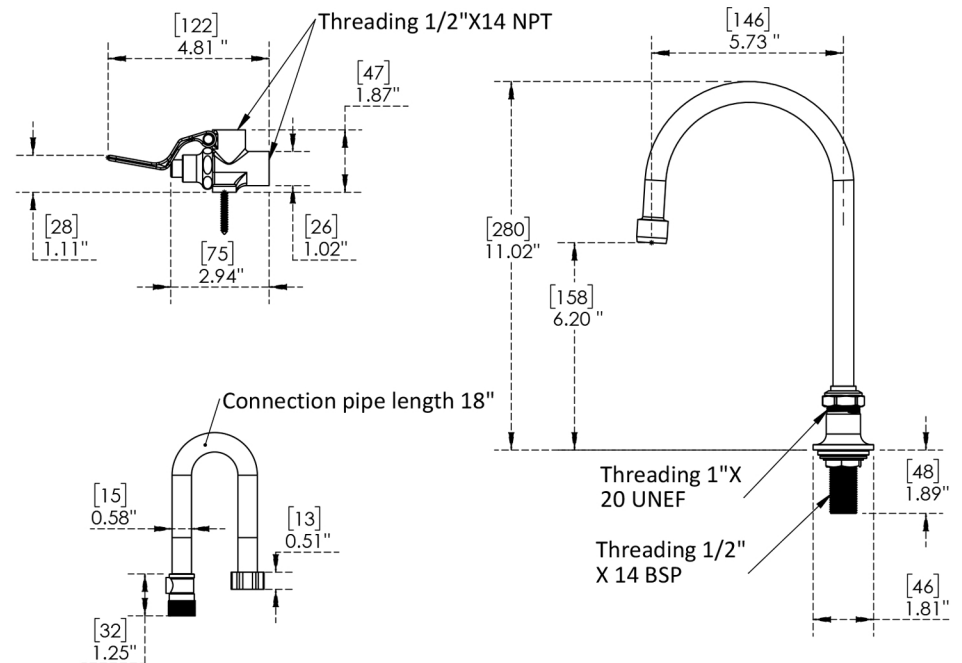
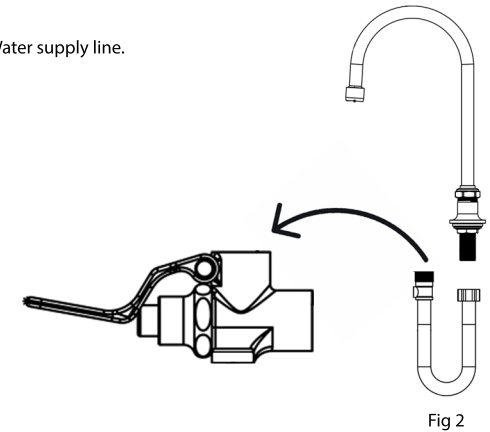
5. To install the foot pedal, make holes to accommodate the screws on the base. Align the screws on the foot pedal and tighten them.(Fig. 1, C8854)



KEEP THIS MANUAL FOR FUTURE REFERENCE

Installation Instructions for Foot Pedal Valve

6. Attach one end of the connection pipe to the spout inlet and the other to the foot pedal outlet to complete the water line to the spout.(Fig 2)
7. Connect the foot pedal inlet with the bathroom/other Water supply line.
8. Restart the water supply and check for any leaks.



CALL : 678 666 2001

ALUIDS