

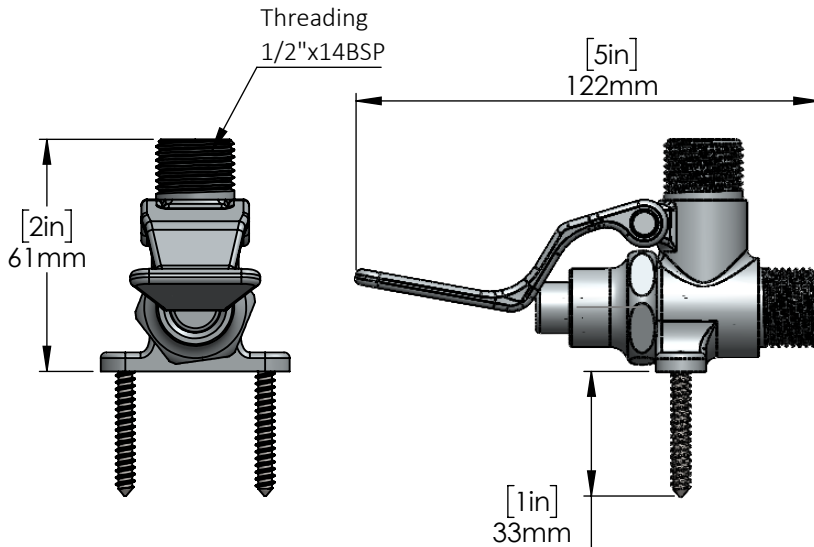
For Residential and Commercial Applications

Job Name _____
Job Location _____
Engineer _____
Approval _____

Contractor _____
Approval _____
Contractor's P.O. No. _____
Representative _____

Series:

Single pedal valve 1/2" Male Inlet and Outlet
C8853



Features & Benefits:

- Floor mounted Single pedal valve comes in polished chrome plated brass body
- Manufactured for commercial use especially hospitals, laboratories and other healthcare facilities.
- This hands free faucet model is manufactured by Aluids manufacturing facility in India
- Floor mount single pedal faucet valve with polished chrome plated solid brass body and pedals, metering cartridges, 1/2" male inlets and outlet and mounting screws.
- Short Floor Mount Foot Pedal

Product Compliance:

- California proposition 65

Warranty: One Years (Limited)

NOTICE

The information contained herein is not intended to replace the full product installation and safety information available or the experience of a trained product installer. You are required to thoroughly read all installation instructions and product safety information before beginning the installation of this product.



ALUIDS

US & Canada :- +1-678 666 2001

Krome product Specifications in U.S. customary units and metric are approximate and are provided for reference only. For precise measurements, please contact Krome Technical Service. Krome reserves the right to change or modify product design, construction, specifications, or materials without prior notice and without incurring any obligation to make such changes and modifications on Krome products previously or subsequently sold. For most updated specification sheet, go to