

Features & Benefits:

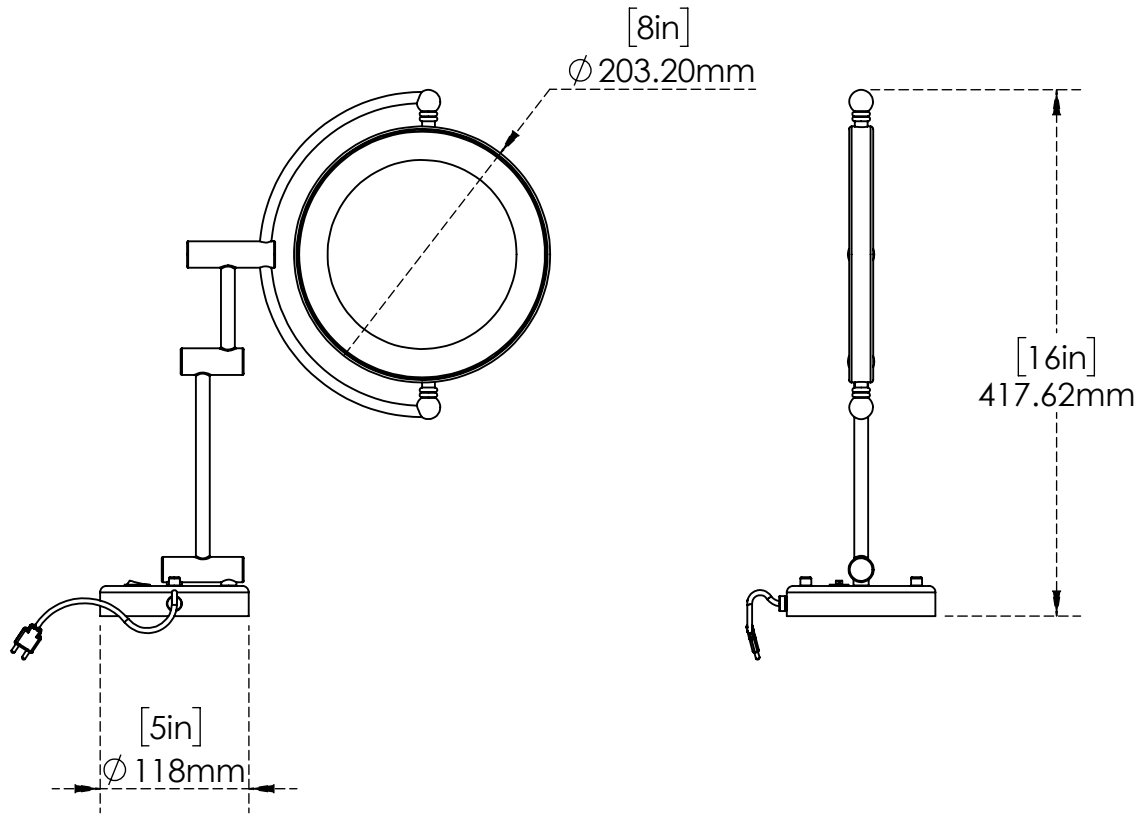
- Wall Mounted Extendable Arms.
- Attractive and elegant design with high quality polished chrome metal.
- The distance between the mirror and the eyes should be within 15 cm, so you get a true reflection.
- This product is suitable for any task such as makeup, dressing, facial, shaving, twee-zing.
- Easy to install, comes complete with screw fixings
- LED with focus light on your face, will have better performance then with no light.
- Size= 8" Round.
- Included Universal Transformer 110-240 V



C8246

Warranty: One Year (Limited)

Product Dimensions:-



Options Available:-

Part No.	Name	Shape	Size	Finish	LED
C8247	Shaving /Makeup Mirror 8"-LED Square	Square	8"	Chrome Polsih	Yes
C8250	Shaving Mirror Makeup 6"	Round	6"	Chrome Polsih	No
C8252	Shaving Mirror Makeup 8"	Round	8"	Chrome Polsih	No

US & Canada :- +1-678 666 2001
 Asia:- +91-9814203010

Krome USA Inc. reserves the right to make revisions to product specifications without any notice
 For most updated specification sheet , go to www.aluids.com

