

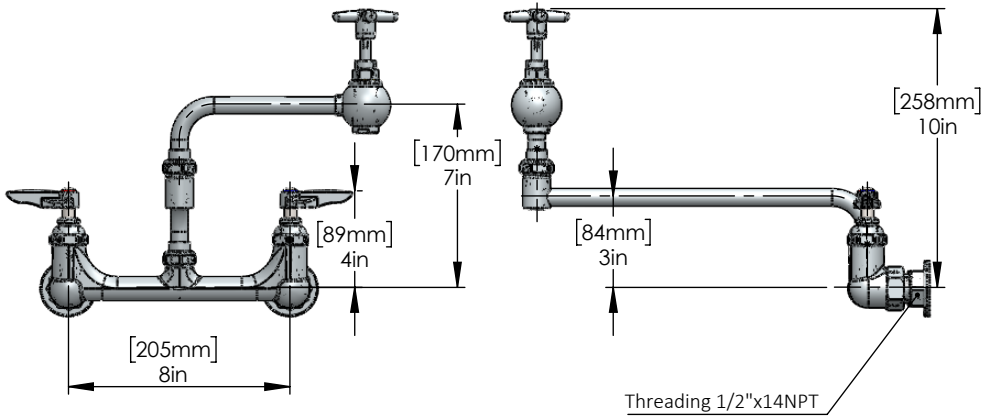
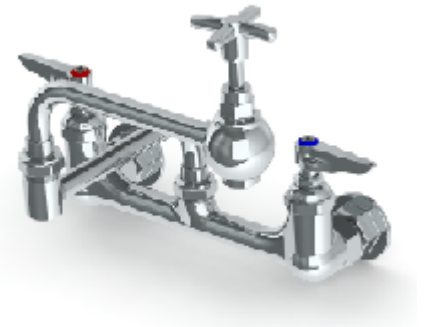
For Residential and Commercial Applications

Job Name _____
 Job Location _____
 Engineer _____
 Approval _____

Contractor _____
 Approval _____
 Contractor's P.O. No. _____
 Representative _____

Series:

8" Wall Mount Pot Filler Faucet
 with 12" Jointed Spout
 C8542



Features & Benefits:

- 100% high quality material, ensures durability and easy cleaning. pot filler faucet ensure safety and sustainability
- Wall-mounted pot fillers are the perfect addition to any kitchen with the convenience of filling large pots directly on the stovetop
- A pot filler makes it easy to fill large cooking vessels quickly and without the walk from sink to stove
- Easy to use, clean and maintain

Performance Data:

- Pressure: 20 - 125 psi
- Temperature: 40°F - 140°F

Product Compliance:

- California Proposition 65

Warranty: Two Years(Limited)

Specifications:

- Full flow with shut off valve at end of spout
- Durable full range swing spout.
- 8" center wall mount
- Lever Handles with Hot and Cold Indexes.

NOTICE

The information contained herein is not intended to replace the full product installation and safety information available or the experience of a trained product installer. You are required to thoroughly read all installation instructions and product safety information before beginning the installation of this product.



US & Canada :- +1-678 666 2001

Krome product Specifications in U.S. customary units and metric are approximate and are provided for reference only. For precise measurements, please contact Krome Technical Service. Krome reserves the right to change or modify product design, construction, specifications, or materials without prior notice and without incurring any obligation to make such changes and modifications on Krome products previously or subsequently sold. For most updated specification sheet, go to