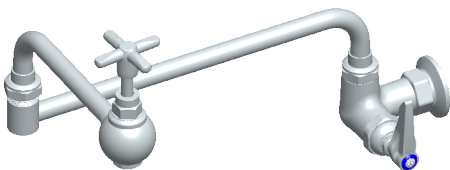
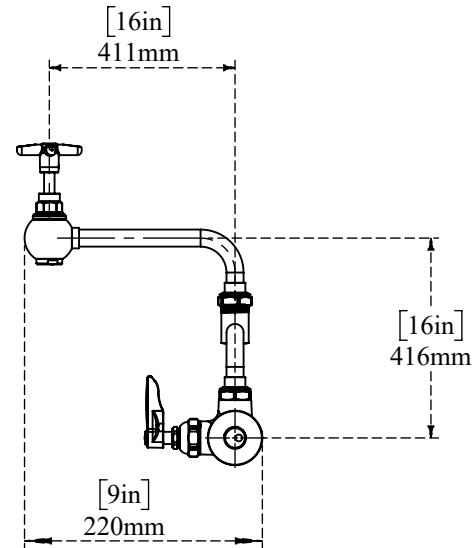
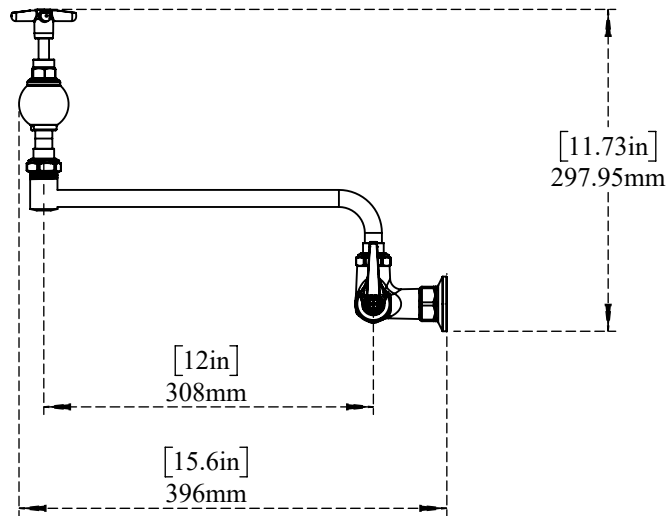


PART NO.-

C8543 Line Drawing

TITLE-

Single Hole Wall Mount Pot Filler Faucet with 18" Jointed Spout



All dimensions are in mm, inch (in bracket)

ALUIDS

Note:- Information provided for reference only.

* This document and the information thereon is the property of Krome Dispense Pvt Ltd. & its subsidiaries. Any reproduction in part or as a whole without the written permission of Krome Dispense Pvt Ltd. is prohibited.