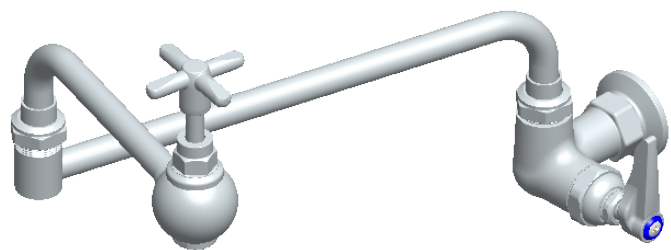
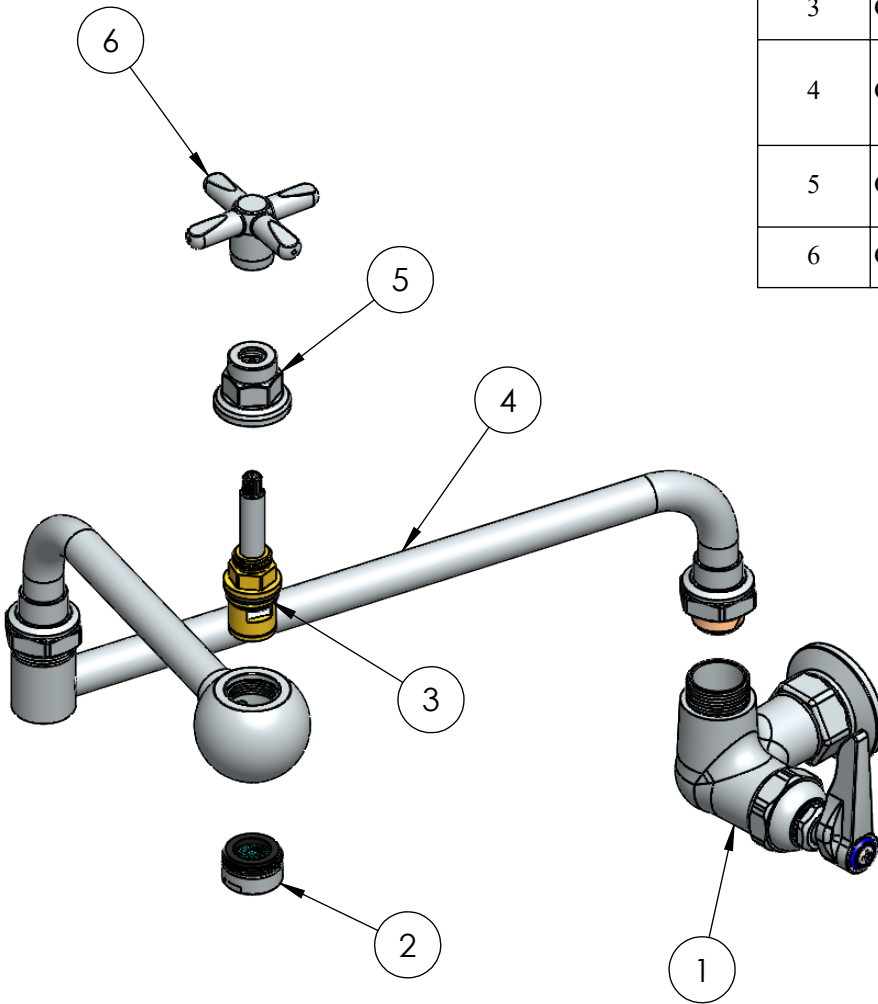


ItemNo.	Part No.	Part Name	Qty.
1	C8447	Single Wall Base Body	1
2	C8513.19	Aerator Foam Flow (Male)	1
3	C8513.10	Small Spindle Assembly	1
4	C8543.50	Pot Filler Faucet Sub-assembly with 18" Jointed Spout	1
5	C8513.12	Hex Bonnet Nut for Small Spindle	1
6	C8542.02	Tap Handle	1



Copyright © 2017 Krome USA Inc. All Rights Reserved