

### Features & Benefits:

- Angled Pre-Rinse Spray Head
- 1.42 GPM @ 60 PSI
- Heavy Duty Designed for use in Commercial Kitchens
- Polished Chrome Plated Brass Body and Rubber Bumper

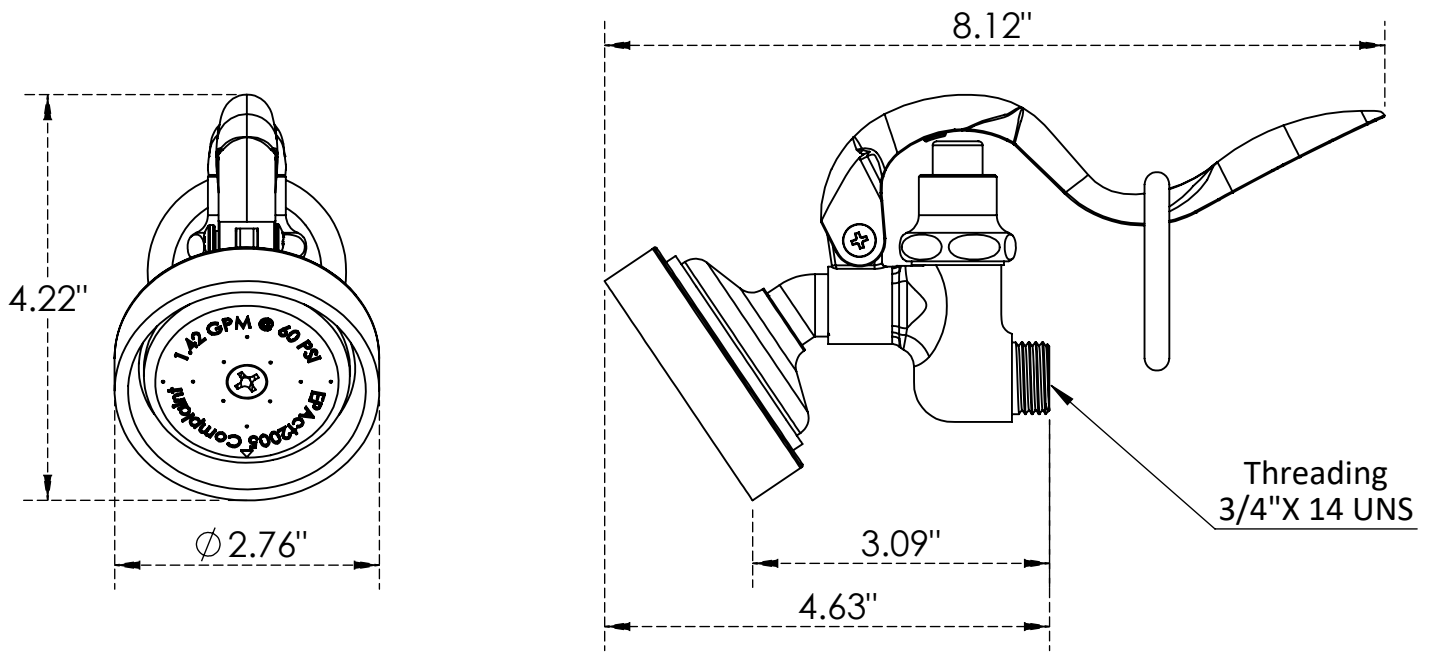


### C9519

Polished Chrome

**Warranty:** Three Year (Limited)

**Product Dimensions:-**



**Options Available:-**

PART NO.	GPM	Material	Finish	Head Type
C8042	1.2	LF Brass	Polished Chrome	Straight
C8149	1.42	LF Brass	Polished Chrome	Straight
C8249	4.5	LF Brass	Polished Chrome	Straight
C9519	1.42	LF Brass	Polished Chrome	Angled