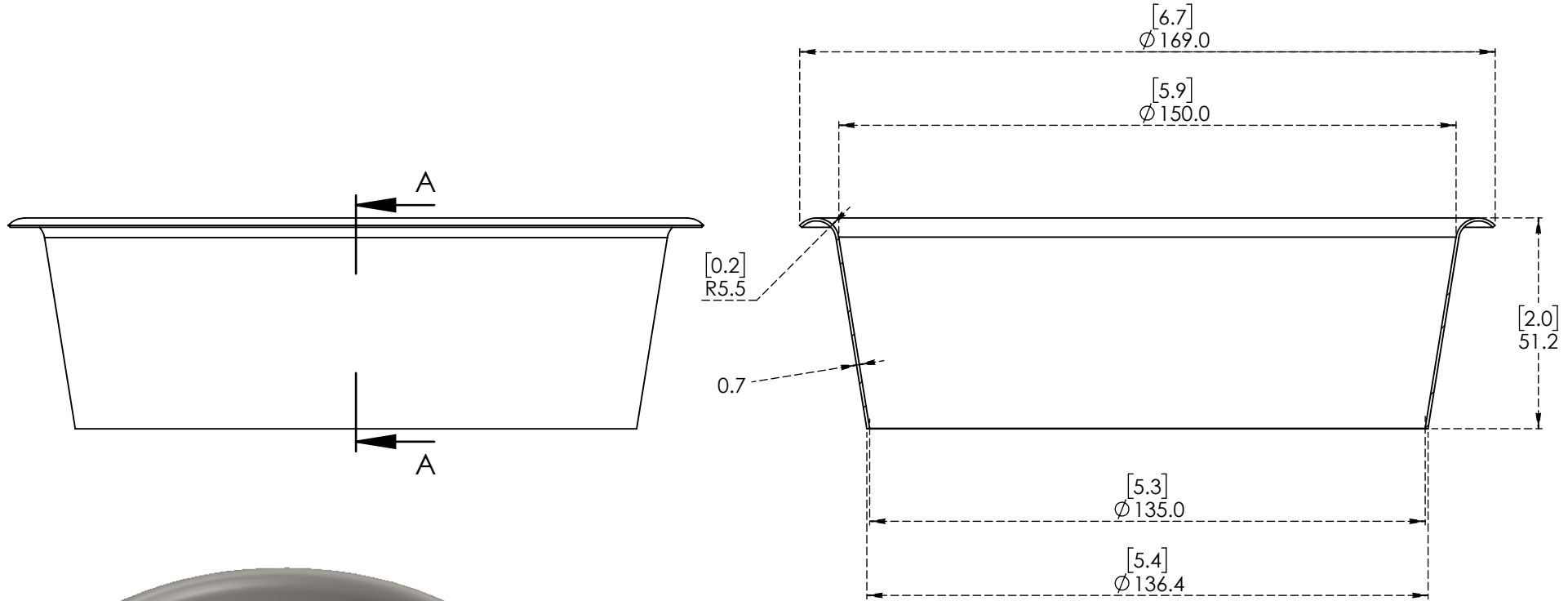


PART NO.-

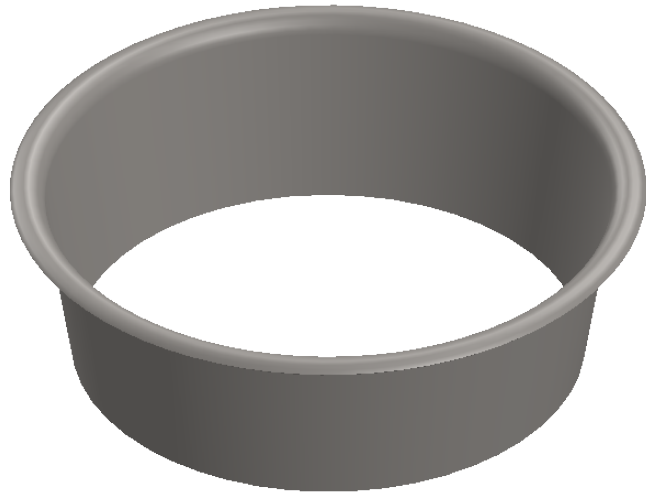
C1885 Line Drawing

TITLE-

Round 6-3/4" Hollow waste



SECTION A-A
SCALE 1 : 1.5



All dimensions are in mm, inches (in bracket)



Note:- Information provided for reference only.

* This document and the information thereon is the property of Krome Dispense Pvt Ltd. & its subsidiaries. Any reproduction in part or as a whole without the written permission of Krome Dispense Pvt Ltd. is prohibited.