

For Residential and Commercial Applications

Job Name _____
 Job Location _____
 Engineer _____
 Approval _____

Contractor _____
 Approval _____
 Contractor's P.O. No. _____
 Representative _____

Series

Frost Free Sillcock with Vacuum Breaker

Sizes: 1/2"x1/2", 3/4"x1/2", 3/4"x3/4"

Series Commercial Plumbing Frost Free Sill Cocks are designed to provide freeze protection for external water supply.

Features & Benefits:

- Self drains automatically
- Positive seat water shut-off
- 3/4" hose outlet

Models:

C8931 Series

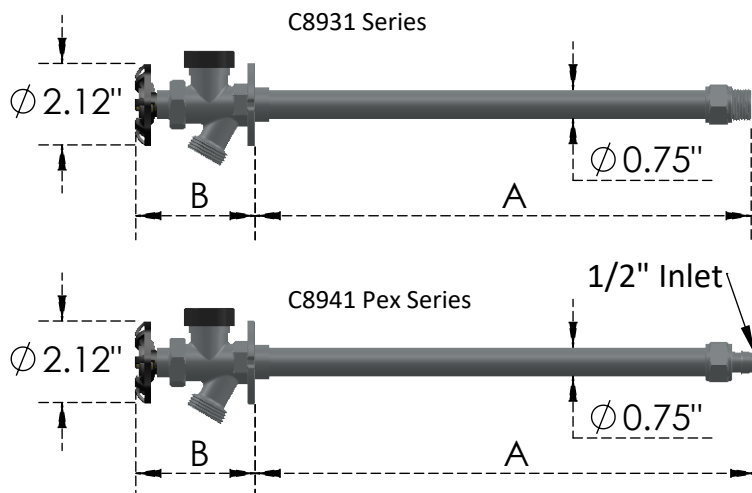
For wall sizes: 4" - 16", 1/2" solder or 1/2" male IPS inlet.

C8941 Pex series

For wall sizes: 4" - 16", 1/2" PEX inlet.

Specifications:

A frost-proof automatic draining wall hydrant to be installed where indicated in the plans. Hydrant to be manufactured of a nickel-plated brass body with a metal handle. Plastic handles are not acceptable. Hydrant to be either solder, IPS, or PEX inlet by 3/4" hose outlet. Hydrant to be a Aluids Series Commercial Plumbing.



Dimensions - Weights

MODEL	SIZE	DIMENSIONS				WEIGHT	
		A		B		lbs.	kgs
	in.	in	mm	in.	mm		
Inlet 1/2" solder or 1/2" male IPS							
C8931	4	4.94	125	3.47	88	1.01	0.46
C8932	6	7	178	3.47	88	1.08	0.49
C8933	8	8	203	3.47	88	1.15	0.52
C8944	10	11	279	3.47	88	1.17	0.53
C8935	12	13	330	3.47	88	1.21	0.55
C8936	14	15	381	3.47	88	1.28	0.58
C8937	16	17	432	3.47	88	1.34	0.61
Inlet 1/2" PEX							
C8941	4	5.5	140	3.47	88	1.01	0.46
C8942	6	7.5	191	3.47	88	1.08	0.49
C8943	8	8.5	216	3.47	88	1.15	0.52
C8944	10	11.5	292	3.47	88	1.17	0.53
C8945	12	13.5	343	3.47	88	1.21	0.55
C8946	14	15.5	394	3.47	88	1.28	0.58
C8937	16	17.5	445	3.47	88	1.34	0.61

NOTICE

The information contained herein is not intended to replace the full product installation and safety information available or the experience of a trained product installer. You are required to thoroughly read all installation instructions and product safety information before beginning the installation of this product.



US & Canada :- +1-678 666 2001

Krome product Specifications in U.S. customary units and metric are approximate and are provided for reference only. For precise measurements, please contact Krome Technical Service. Krome reserves the right to change or modify product design, construction, specifications, or materials without prior notice and without incurring any obligation to make such changes and modifications on Krome products previously or subsequently sold. For most updated specification sheet, go to www.aluids.com