

For Residential and Commercial Applications

Job Name _____
 Job Location _____
 Engineer _____
 Approval _____

Contractor _____
 Approval _____
 Contractor's P.O. No. _____
 Representative _____

C8496 Series

Series

Double Pantry Faucet, Single Hole Base, Spout

Sizes:

Single Hole Deck Mount Pantry Faucets with 6" to 12" Swing Nozzle

Features & Benefits:

- Swing Nozzle stream regulator outlet
- Polished Chrome Finish
- Lead-free Heavy Duty Wall Mounted Commercial Kitchen Faucet
- The material ensures quality and reliability
- Single supply for cold or tempered water
- The durable brass construction is designed for a lifetime of use
- Warranty 3 Years

Product Compliance:

California Proposition 65

Performance Data:

Pressure: 20- 125 PSI
 Temperature: 40 °F to 140 °F

Aerators:

Standard Aerator	Suffix	Vandal Resistant Aerator	Suffix
<input type="checkbox"/> 0.20 GPM	E1	<input type="checkbox"/> 0.35 GPM	G1
<input type="checkbox"/> 0.50 GPM	E2	<input type="checkbox"/> 0.50 GPM	G2
<input type="checkbox"/> 1.00 GPM	E3	<input type="checkbox"/> 1.00 GPM	G3
<input type="checkbox"/> 1.50 GPM	E4	<input type="checkbox"/> 1.50 GPM	G4
<input type="checkbox"/> 1.80 GPM	E5		
<input type="checkbox"/> 2.20 GPM	E6		

Laminar Flow Outlet	Suffix	Vandal Resistant Laminar Flow Outlet	Suffix
<input type="checkbox"/> 0.50 GPM	F1	<input type="checkbox"/> 0.35 GPM	H1
<input type="checkbox"/> 1.50 GPM	F2	<input type="checkbox"/> 0.50 GPM	H2
		<input type="checkbox"/> 1.00 GPM	H3
		<input type="checkbox"/> 1.50 GPM	H4

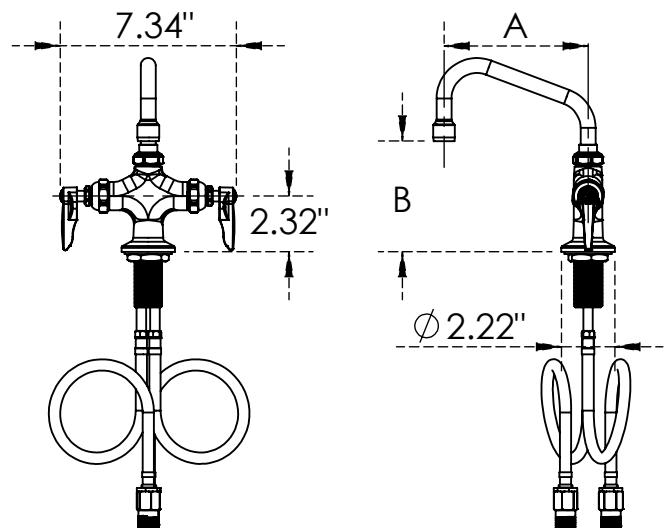
Model e.g.

C8496-E1

C8496-G3

Standard Aerator
0.20 GPM

Vandal Resistant Aerator
1.00 GPM



Dimensions - Weights

MODEL	Main Body		DIMENSIONS				WEIGHT
	Faucet Body	Swing Nozzle	Swing Nozzle Length A		Length B		
			in	mm	in	mm	lbs.
C8496	C8496.50	C8179	6"	152	4.61"	117	5.69
C8497	C8496.50	C8145	12"	305	6.87"	175	5.94

NOTICE

The information contained herein is not intended to replace the full product installation and safety information available or the experience of a trained product installer. You are required to thoroughly read all installation instructions and product safety information before beginning the installation of this product.



US & Canada :- +1-678 666 2001

Krome product Specifications in U.S. customary units and metric are approximate and are provided for reference only. For precise measurements, please contact Krome Technical Service. Krome reserves the right to change or modify product design, construction, specifications, or materials without prior notice and without incurring any obligation to make such changes and modifications on Krome products previously or subsequently sold. For most updated specification sheet, go to www.aluids.com