



C8197

Polished Chrome

### Features & Benefits:

- Double Pantry Faucet, Deck Mount, 8" Centers, Swivel/Rigid Gooseneck, Lever Handles
- 5-3/4" Swivel/Rigid Gooseneck with Stream Regulator Outlet
- 1/2" NPT Female Eccentric Flange
- Lever Handles with HOT & COLD Indexes
- Compression cartridges with spring checks
- Adjustable centers from 7-3/4" to 8-1/4"

### Performance Data:

- Pressure: 20- 125 PSI
- Temperature: 40°F to 140°F

### Product Compliance:

California Proposition 65

Warranty: One Year (Limited)



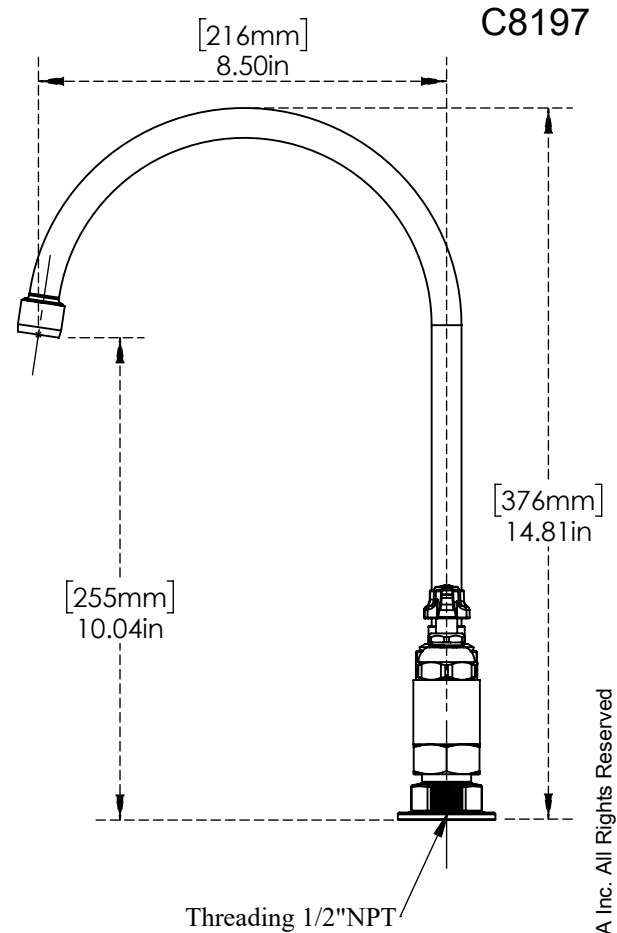
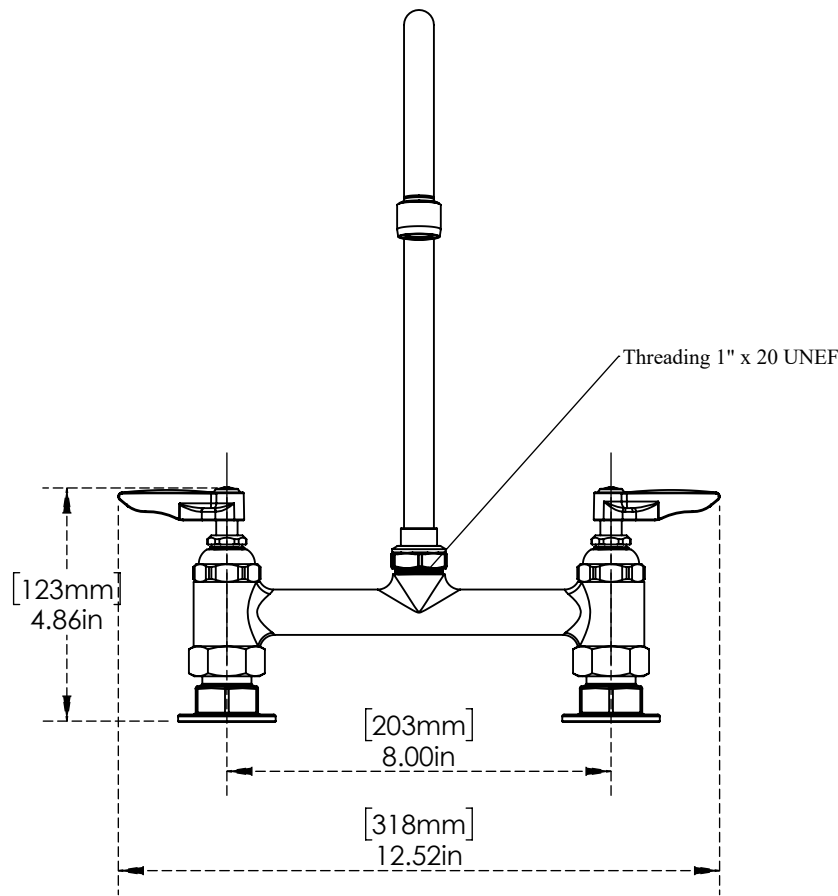
US & Canada :- +1-678 666 2001

Asia:- +91-9814203010

Krome USA Inc. reserves the right to make revisions to product specifications without any notice

For most updated specification sheet , go to [www.aluids.com](http://www.aluids.com)

#### Product Dimensions:-



#### Options Available:-

Part Number	Part Name	Finish	Mount Type
C8185	Double Pantry Deck Mount Swivel Base Faucet with 6" Swing Nozzle	Polished Chrome	Deck Mount
C8186	Double Pantry Deck Mount Swivel Base Faucet with 8" Swing Nozzle	Polished Chrome	Deck Mount
C8187	Double Pantry Deck Mount Swivel Base Faucet with 10" Swing Nozzle	Polished Chrome	Deck Mount
C8189	Double Pantry Deck Mount Swivel Base Faucet with 18" Swing Nozzle	Polished Chrome	Deck Mount
C8195	Double Pantry Deck Mount Swivel Base Faucet with 14" Swing Nozzle	Polished Chrome	Deck Mount
C8196	Double Pantry Deck Mount Swivel Base Faucet with 10" Swing Nozzle	Polished Chrome	Deck Mount

Copyright © 2017 Krome USA Inc. All Rights Reserved

Revision : 01

US & Canada :- +1-678 666 2001

Asia:- +91-9814203010

Krome USA Inc. reserves the right to make revisions to product specifications without any notice

For most updated specification sheet , go to [www.aluids.com](http://www.aluids.com)