

For Residential and Commercial Applications

Job Name _____
 Job Location _____
 Engineer _____
 Approval _____

Contractor _____
 Approval _____
 Contractor's P.O. No. _____
 Representative _____

Series

Double Pantry Faucet, Deck Mount, 4" Centers

Sizes:

4" Deck Mount Pantry Faucets with 3-1/2" to 8-1/2" Swivel Gooseneck Nozzle

Features & Benefits:

- Swivel Gooseneck Nozzle stream regulator outlet
- 1/2" NPT Female Eccentric Flange
- Lever Handles with HOT & COLD Indexes
- Compression cartridges with spring checks
- Adjustable centers from 3-3/4" to 4-1/4"
- With free flow outlet aerator
- Warranty 3 Years

Product Compliance:

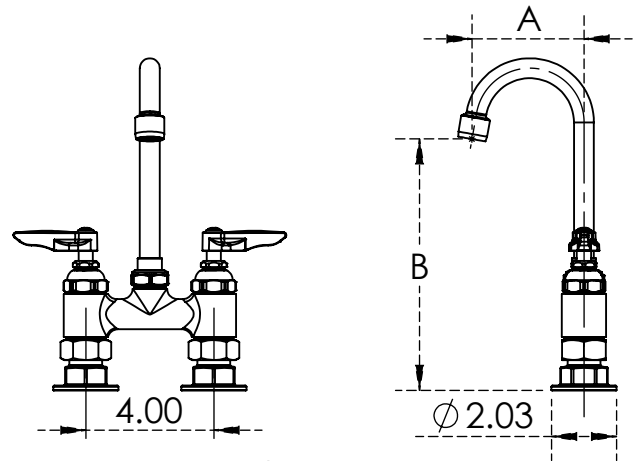
California Proposition 65

Performance Data:

Pressure: 20- 125 PSI

Temperature: 40 °F to 140 °F

C8277 Series



Dimensions - Weights

MODEL	Main Body		DIMENSIONS						WEIGHT
	Faucet Body	Swivel Nozzle	Body Center Holes		Swivel Gooseneck Spread A		Length B		
			in	mm	in	mm	in	mm	lbs.
C8277	C8277.50	C8211	4"	102	3-1/2"	89	7.86"	200	3.64
C8278	C8277.50	C8212	4"	102	5-11/16"	144	8.2"	208	3.82
C8279	C8277.50	C8202	4"	102	8-1/2"	216	10.21"	259	3.95

Aerators:

Standard Aerator	Suffix
<input type="checkbox"/> 0.20 GPM	E1
<input type="checkbox"/> 0.50 GPM	E2
<input type="checkbox"/> 1.00 GPM	E3
<input type="checkbox"/> 1.50 GPM	E4
<input type="checkbox"/> 1.80 GPM	E5
<input type="checkbox"/> 2.20 GPM	E6

Vandal Resistant Aerator	Suffix
<input type="checkbox"/> 0.35 GPM	G1
<input type="checkbox"/> 0.50 GPM	G2
<input type="checkbox"/> 1.00 GPM	G3
<input type="checkbox"/> 1.50 GPM	G4

Laminar Flow Outlet	Suffix
<input type="checkbox"/> 0.50 GPM	F1
<input type="checkbox"/> 1.50 GPM	F2

Vandal Resistant Laminar Flow Outlet	Suffix
<input type="checkbox"/> 0.35 GPM	H1
<input type="checkbox"/> 0.50 GPM	H2
<input type="checkbox"/> 1.00 GPM	H3
<input type="checkbox"/> 1.50 GPM	H4

Model e.g.

C8277-E1

C8277-G4

Standard Aerator
0.20 GPM

Vandal Resistant Aerator
1.50 GPM

NOTICE

The information contained herein is not intended to replace the full product installation and safety information available or the experience of a trained product installer. You are required to thoroughly read all installation instructions and product safety information before beginning the installation of this product.

US & Canada :- +1-678 666 2001

Krome product Specifications in U.S. customary units and metric are approximate and are provided for reference only. For precise measurements, please contact Krome Technical Service. Krome reserves the right to change or modify product design, construction, specifications, or materials without prior notice and without incurring any obligation to make such changes and modifications on Krome products previously or subsequently sold. For most updated specification sheet, go to www.aluids.com