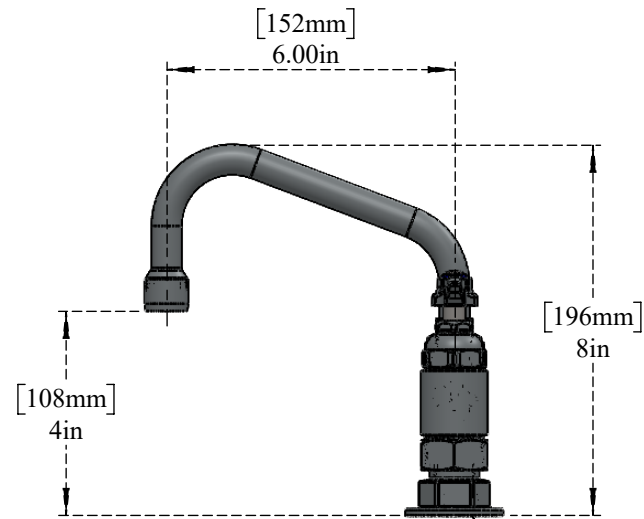
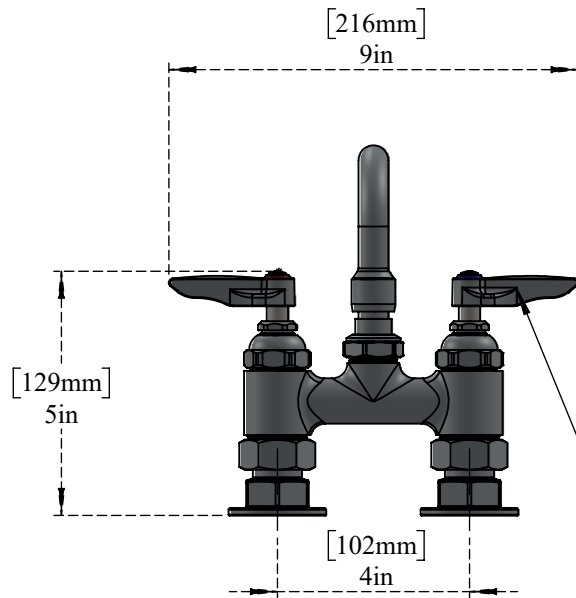


PART NO.-

C8366 Line Drawing

TITLE-

4" Center-Double Pantry Deck Mount Swivel Base  
Faucet with 6" Swing Nozzle



Lever Handles  
w/ Color Coded Indexes

Ø 2.03in [52mm] Flange w/  
1/2" NPT Female Thread

**ALUIDS**

Note:- Information provided for reference only.

All dimensions are in inches, mm (in bracket)

\* This document and the information thereon is the property of Krome Dispense Pvt Ltd. & its subsidiaries. Any reproduction in part or as a whole without the written permission of Krome Dispense Pvt Ltd. is prohibited.