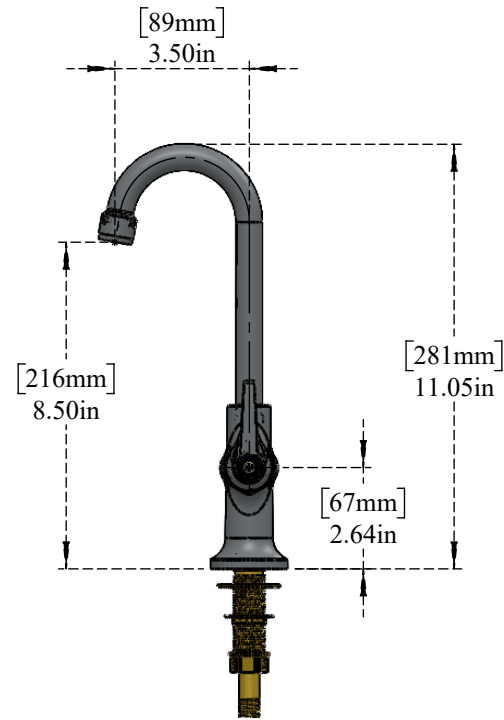
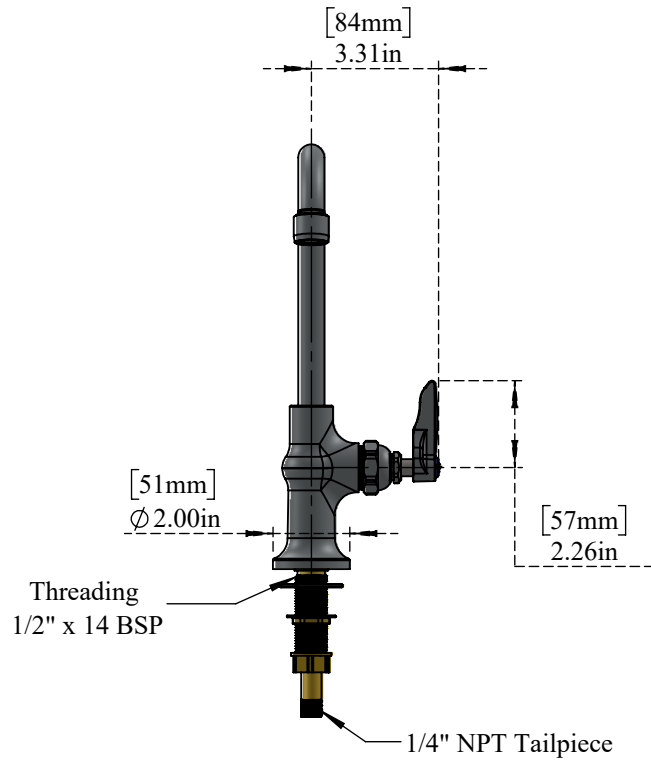


PART NO.-

C8471 Line Drawing

TITLE- Single Hole Single Temperature Commercial Deck Mount Faucet , Lever Handle ,3 3/4" Rigid Gooseneck w/stream regulator & 1/2" NPSM Male Inlet - Lead Free Brass



ALUIDS

Note:- Information provided for reference only.

* This document and the information thereon is the property of Krome Dispense Pvt Ltd. & its subsidiaries. Any reproduction in part or as a whole without the written permission of Krome Dispense Pvt Ltd. is prohibited.

All dimensions are in inches, mm (in bracket)