

For Residential and Commercial Applications

Job Name _____
 Job Location _____
 Engineer _____
 Approval _____

Contractor _____
 Approval _____
 Contractor's P.O. No. _____
 Representative _____

C8478 Series

Series

Swing Nozzle Assembly, Flanged Wall Mount

Sizes:

Swing Nozzle Assembly, Flanged Wall Mount with 6" to 10" Swing Nozzle



Features & Benefits:

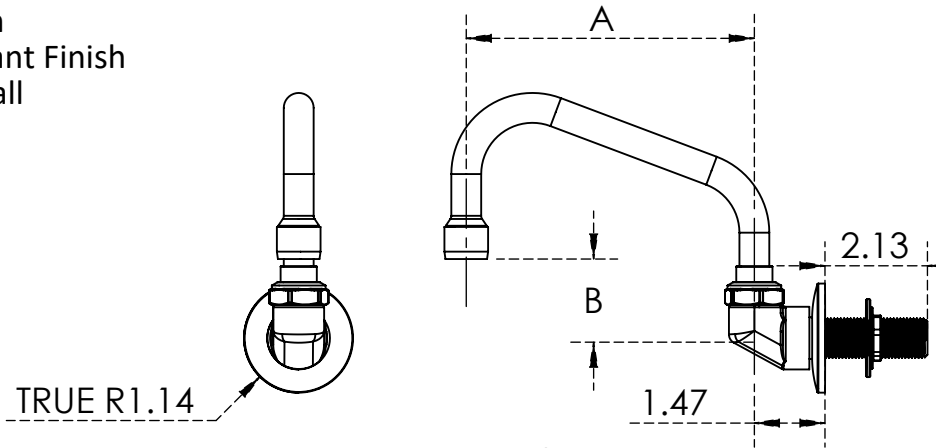
- Swing Nozzle stream regulator outlet
- Made from high quality brass
- Perfect Combination Of Design And Function
- Suitable For Your Modern Kitchen
- Superior Corrosion & Rust-Resistant Finish
- Safe, Easy To Clean, Use And Install
- 1 Year Warranty

Product Compliance:

California Proposition 65

Performance Data:

Pressure: 20- 125 PSI
 Temperature: 40 °F to 140 °F



Aerators:

Standard Aerator	Suffix
□ 0.20 GPM	E1
□ 0.50 GPM	E2
□ 1.00 GPM	E3
□ 1.50 GPM	E4
□ 1.80 GPM	E5
□ 2.20 GPM	E6

Vandal Resistant Aerator	Suffix
□ 0.35 GPM	G1
□ 0.50 GPM	G2
□ 1.00 GPM	G3
□ 1.50 GPM	G4

Vandal Resistant Laminar Flow Outlet	Suffix
□ 0.35 GPM	H1
□ 0.50 GPM	H2
□ 1.00 GPM	H3
□ 1.50 GPM	H4

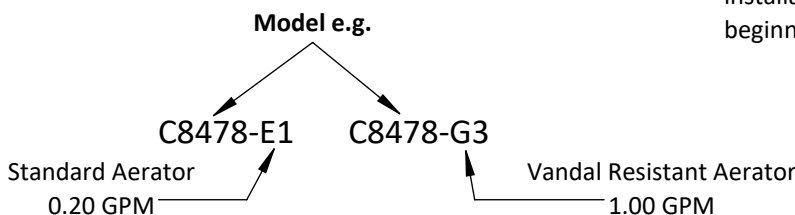
Laminar Flow Outlet	Suffix
□ 0.50 GPM	F1
□ 1.50 GPM	F2

Dimensions - Weights

MODEL	Main Body		DIMENSIONS				WEIGHT
	Wall Mount Elbow	Swing Nozzle	Swing Nozzle Length A		Length B		
			in	mm	in	mm	lbs.
C8478	C8477.01	C8179	6"	152	1.73"	44	1.33
C8479	C8477.01	C8180	8"	203	2.48"	63	1.40
C8480	C8477.01	C8181	10"	254	3.24"	82	1.47

NOTICE

The information contained herein is not intended to replace the full product installation and safety information available or the experience of a trained product installer. You are required to thoroughly read all installation instructions and product safety information before beginning the installation of this product.



US & Canada :- +1-678 666 2001

Krome product Specifications in U.S. customary units and metric are approximate and are provided for reference only. For precise measurements, please contact Krome Technical Service. Krome reserves the right to change or modify product design, construction, specifications, or materials without prior notice and without incurring any obligation to make such changes and modifications on Krome products previously or subsequently sold. For most updated specification sheet, go to www.aluids.com

Copyright © 2017 Krome USA Inc. All Rights Reserved
 Date:22/12/2020
 Revision: