

# For Residential and Commercial Applications

Job Name \_\_\_\_\_  
 Job Location \_\_\_\_\_  
 Engineer \_\_\_\_\_  
 Approval \_\_\_\_\_

Contractor \_\_\_\_\_  
 Approval \_\_\_\_\_  
 Contractor's P.O. No. \_\_\_\_\_  
 Representative \_\_\_\_\_

## Series

Double Pantry Faucet, Single Deck Hole  
 Base, Rigid Gooseneck

C8504 Series

### Sizes:

Single Deck Hole Base, 3-3/4" to 8-1/2"  
 Rigid Gooseneck

### Features & Benefits:

- Rigid goose neck with Stream Regulator & 1/2" NPSM Male Inlet
- Stream regulator outlet
- Lever handle with color coded index
- Optional tailpiece and nut for 1/4" NPT male connection
- Free flow Aerator
- Warranty 3 Years

### Product Compliance:

California Proposition 65

### Performance Data:

Pressure: 20- 125 PSI  
 Temperature: 40 °F to 140 °F

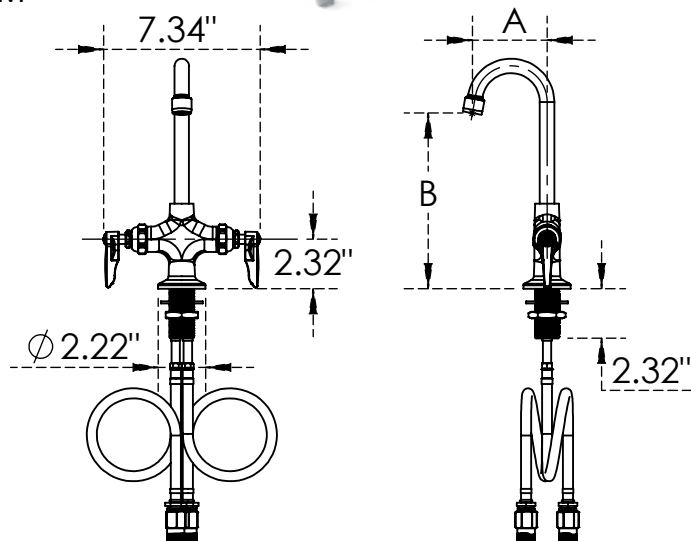
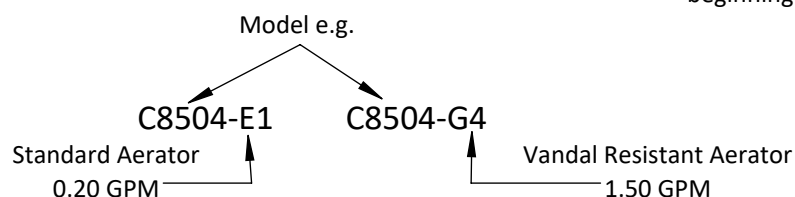
### Aerators:

Standard Aerator	Suffix
<input type="checkbox"/> 0.20 GPM	E1
<input type="checkbox"/> 0.50 GPM	E2
<input type="checkbox"/> 1.00 GPM	E3
<input type="checkbox"/> 1.50 GPM	E4
<input type="checkbox"/> 1.80 GPM	E5
<input type="checkbox"/> 2.20 GPM	E6

Vandal Resistant Aerator	Suffix
<input type="checkbox"/> 0.35 GPM	G1
<input type="checkbox"/> 0.50 GPM	G2
<input type="checkbox"/> 1.00 GPM	G3
<input type="checkbox"/> 1.50 GPM	G4

Vandal Resistant Laminar Flow Outlet	Suffix
<input type="checkbox"/> 0.35 GPM	H1
<input type="checkbox"/> 0.50 GPM	H2
<input type="checkbox"/> 1.00 GPM	H3
<input type="checkbox"/> 1.50 GPM	H4

Laminar Flow Outlet	Suffix
<input type="checkbox"/> 0.50 GPM	F1
<input type="checkbox"/> 1.50 GPM	F2



### Dimensions - Weights

MODEL	Main Body		DIMENSIONS						WEIGHT
	Faucet Body	Rigid Nozzle	Body Centre Holes		Rigid Gooseneck Spread A		Length B		
			in	mm	in	mm	in	mm	lbs.
<b>C8504</b>	C8443.50	C8073	8"	203	3-3/4"	89	8.23"	209	5.81
<b>C8505</b>	C8443.50	C8201	8"	203	5-1/2"	144	8.65"	220	6.18
<b>C8507</b>	C8443.50	C8213	8"	203	8-1/2"	216	10.61"	270	6.31

### NOTICE

The information contained herein is not intended to replace the full product installation and safety information available or the experience of a trained product installer. You are required to thoroughly read all installation instructions and product safety information before beginning the installation of this product.



US & Canada :- +1-678 666 2001

Krome product Specifications in U.S. customary units and metric are approximate and are provided for reference only. For precise measurements, please contact Krome Technical Service. Krome reserves the right to change or modify product design, construction, specifications, or materials without prior notice and without incurring any obligation to make such changes and modifications on Krome products previously or subsequently sold. For most updated specification sheet, go to [www.aluids.com](http://www.aluids.com)