

For Residential and Commercial Applications

Job Name _____
 Job Location _____
 Engineer _____
 Approval _____

Contractor _____
 Approval _____
 Contractor's P.O. No. _____
 Representative _____

Series

C8564 Series

Single Pantry Faucet, Single Hole Base,
 Wall Mount, Double Joint Swing Nozzle

Sizes:

Single Pantry Faucet with 12" to 18"
 Double Joint Swing Nozzle

Features & Benefits:

- Double Joint Swivel Spout stream regulator outlet
- 1/2" NPT Female Eccentric Flange
- Lever Handles with HOT & COLD Indexes
- Compression cartridges with spring checks
- With free flow outlet aerator
- Warranty 3 Years

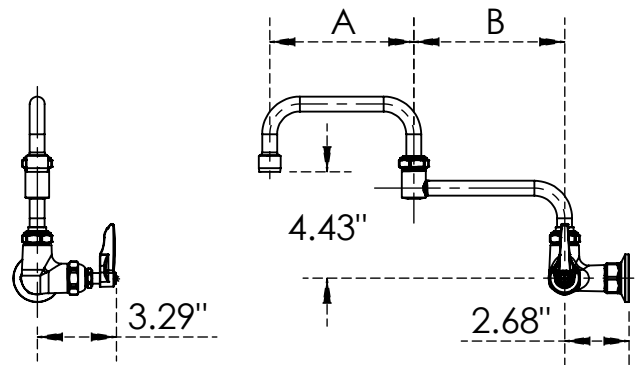


Product Compliance:

California Proposition 65

Performance Data:

Pressure: 20- 125 PSI
 Temperature: 40 °F to 140 °F



Aerators:

Standard Aerator	Suffix
<input type="checkbox"/> 0.20 GPM	E1
<input type="checkbox"/> 0.50 GPM	E2
<input type="checkbox"/> 1.00 GPM	E3
<input type="checkbox"/> 1.50 GPM	E4
<input type="checkbox"/> 1.80 GPM	E5
<input type="checkbox"/> 2.20 GPM	E6

Vandal Resistant Aerator	Suffix
<input type="checkbox"/> 0.35 GPM	G1
<input type="checkbox"/> 0.50 GPM	G2
<input type="checkbox"/> 1.00 GPM	G3
<input type="checkbox"/> 1.50 GPM	G4

Vandal Resistant Laminar Flow Outlet	Suffix
<input type="checkbox"/> 0.35 GPM	H1
<input type="checkbox"/> 0.50 GPM	H2
<input type="checkbox"/> 1.00 GPM	H3
<input type="checkbox"/> 1.50 GPM	H4

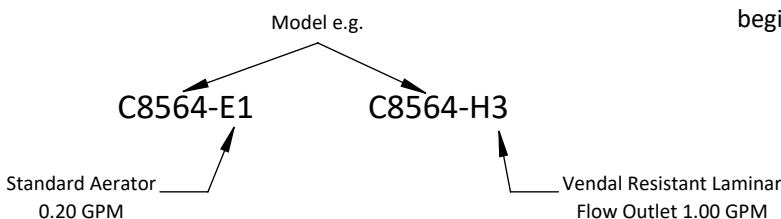
Laminar Flow Outlet	Suffix
<input type="checkbox"/> 0.50 GPM	F1
<input type="checkbox"/> 1.50 GPM	F2

Dimensions - Weights

MODEL	Main Body		DIMENSIONS						WEIGHT
	Faucet Body	Swivel Nozzle	Front Section		Back Section Length B		Total Length		
			in.	mm	in.	mm	in.	mm	lbs.
C8564	C8447	C8206	6"	152	6"	152	12"	305	2.93
C8565	C8447	C8207	6"	152	9"	229	15"	381	3.03
C8566	C8447	C8208	6"	152	12"	305	18"	457	3.13

NOTICE

The information contained herein is not intended to replace the full product installation and safety information available or the experience of a trained product installer. You are required to thoroughly read all installation instructions and product safety information before beginning the installation of this product.



US & Canada :- +1-678 666 2001

Krome product Specifications in U.S. customary units and metric are approximate and are provided for reference only. For precise measurements, please contact Krome Technical Service. Krome reserves the right to change or modify product design, construction, specifications, or materials without prior notice and without incurring any obligation to make such changes and modifications on Krome products previously or subsequently sold. For most updated specification sheet, go to www.aluids.com